

EU-Type Examination Certificate

- [2] EQUIPMENT OR PROTECTIVE SYSTEM INTENDED FOR USE IN POTENTIALLY EXPLOSIVE ATMOSPHERES DIRECTIVE 2014/34/EU
- [3] **EU-Type Examination Certificate Number:** Presafe 17 ATEX 11333 X Issue 0
- [4] **Product:** Wireless Radio Enclosure
- [5] **Manufacturer:** BARTEC GmbH
- [6] **Address:** Max-Eyth-Straße 16
97980 Bad Mergentheim
Germany
- [7] This product and any acceptable variation thereto is specified in the schedule to this certificate and the documents therein referred to.
- [8] DNV GL Nemko Presafe AS, notified body number 2460, in accordance with Article 17 of Directive 2014/34/EU of the European Parliament and of the Council, dated 26 February 2014, certifies that this product has been found to comply with the Essential Health and Safety Requirements relating to the design and construction of products intended for use in potentially explosive atmospheres given in Annex II to the Directive.
The examination and test results are recorded in confidential reports listed in section 16.
- [9] Compliance with the Essential Health and Safety Requirements has been assured by compliance with: EN 60079-0:2012/A11:2013, EN 60079-1:2014 and EN 60079-7:2015.
- [10] If the sign "X" is placed after the certificate number, it indicates that the product is subject to the Specific Conditions of Use specified in the schedule to this certificate.
- [11] This EU - TYPE EXAMINATION CERTIFICATE relates only to the design and construction of the specified product. Further requirements of the Directive apply to the manufacturing process and supply of this product. These are not covered by this certificate.
- [12] The marking of the product shall include the following:



II 2 G

Ex db eb IIC T6 Gb, Tamb: -20°C to +60°C

Asle Kaastad
For DNV GL Nemko Presafe AS

The Certificate has been digitally signed.
See www.presafe.com/digital_signatures for more info



Date of issue: 2017-12-18

This certificate may only be reproduced in its entirety and without any change, schedule included.

[13]

Schedule

[14] **EU-TYPE EXAMINATION CERTIFICATE No.:** Presafe 17 ATEX 11333 X Issue 0

[15] Description of Product

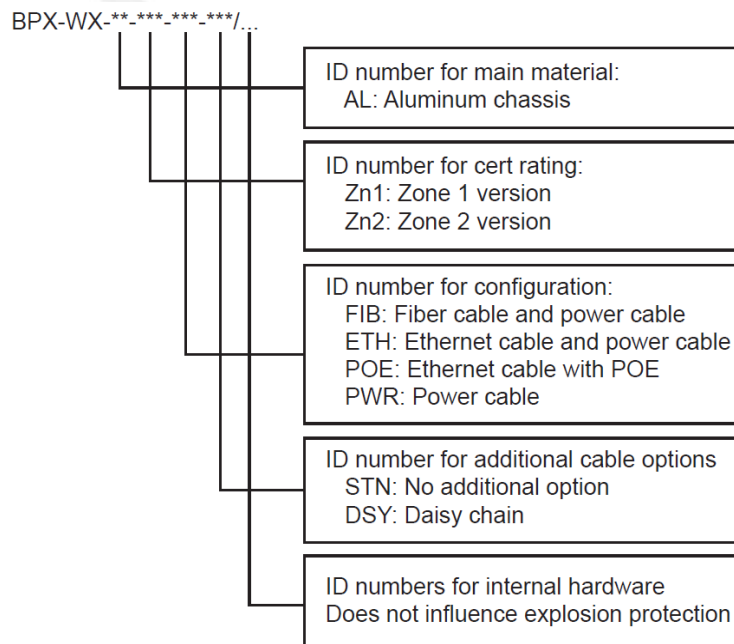
Wireless Router is protected with type of protection “flameproof enclosure” and “increased safety”. It is intended for fixed installation on the ceiling.

Ex d compartment is made from Al “bottom chassis”, non-metallic “dome” and metallic “top ring” fixed together by special fasteners and cemented. Ex e enclosure is made from Al “bottom chassis” and “cover” with O-ring fixed by fasteners on the top.

Electronic components are located in Ex d compartment while the connection terminal for field wiring is located in Ex e compartment which is provided with three threaded holes for cable entry.

Type designation: Wireles radio enclosure

Applicable models:



Electrical data:

Voltage: 85-264 VAC (47-63) Hz, 120-370 VDC

Current: max. 10 A

Ambient temperature:

-20°C to +60°C

Routine tests:

Each enclosure has to be submitted to routine overpressure test (11.1 bar acc. Cl. 16 of EN 60079-1:2014).

[16] **Report No.:** D0002991

[17] **Specific Conditions of Use**

“X” - The instruction indicates all the necessary information to ensure the installation and use minimize the risk from electrostatic discharge.

“X” - Equipment must only be placed in areas with low risk of mechanical danger (ref clause 26.4.2 in EN 60079-0).

“X” – The equipment is intended for installation only in certain position (see manufacturers’ instructions)

[18] **Essential Health and Safety Requirements**

Essential Health and Safety Requirements (EHSRs) are covered by the standards listed at item 9

[19] **Drawings and documents**

| Number | Title | Rev. | Date |
|---------|-------------------------------|------|------------|
| BPXWR2 | BPX_WX_ALL_exploded_BOM | 10 | 2017-12-15 |
| BPXWX1 | Wireless X general assembly | 09 | 2017-12-15 |
| BPXWXM1 | BPX_WX_ALL_IECEX_Atex_Marking | 04 | 2017-12-14 |
| BPXWXL1 | BPX_WX_Main_Cover_Layup | 01 | 2017-12-12 |

[20] **Certificate History**

| Issue | Description | Issue date | Report no. |
|-------|----------------|------------|------------|
| 0 | Original issue | 2017-10-18 | D0002991 |

END OF CERTIFICATE