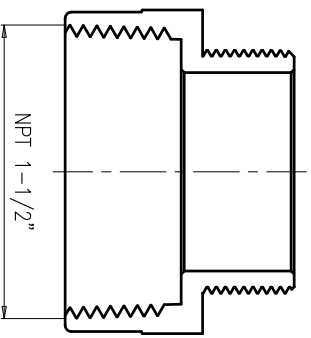
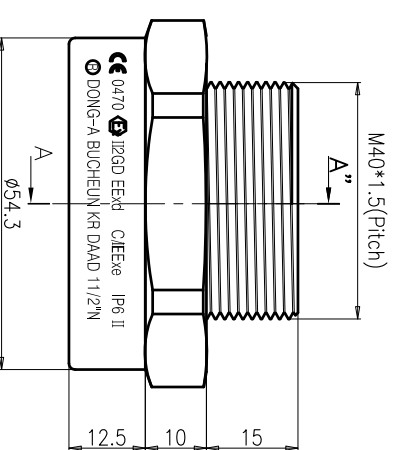
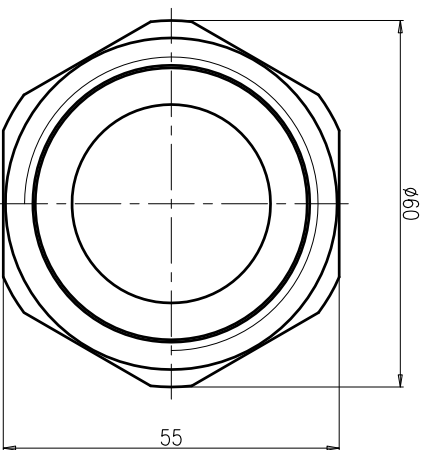
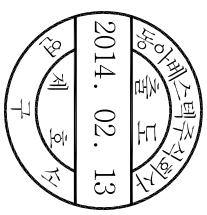


REV. NO.	REVISION	DATE	DR	CH	APP
Δ					



SECTION A"-A



**NOTE**  
 1. Material : Brass / Brass with Nickel plated and Stainless Steel or Aluminum.

TOLERANCE ±mm (KS B 0142)		PART NO		PART, NAME		MATERIAL		Q'TY		DIMENSIONS						
RANGE	CLASS	F	(M)	C	V	ANGLE	F	G	DES. BY	CH. BY	APP. BY	SCALE	MATERIAL	DESCRIPTION	MODEL NO	DWG. NO.
6 Max.	6 Max.	0.05	0.1	0.2	0.5	1'	6'		T.H.LIM	T.H.KIM	T.S.HOON	1 : 1		Adaptor	DAAD - M40N112	BSA- CG10 -DAAD-M40N2
30 Min.	30 Max.	0.1	0.2	0.5	1											
120 Min.	120 Max.	0.15	0.3	0.8	1.5	30"										
400 Min.	400 Max.	0.2	0.5	1.2	2.5											
1000 Min.	1000 Max.	0.3	0.8	2	4	15"	1'									
2000 Min.	4000 Max.	0.5	1.2	3	6		30"									
		-	2	4	8											

