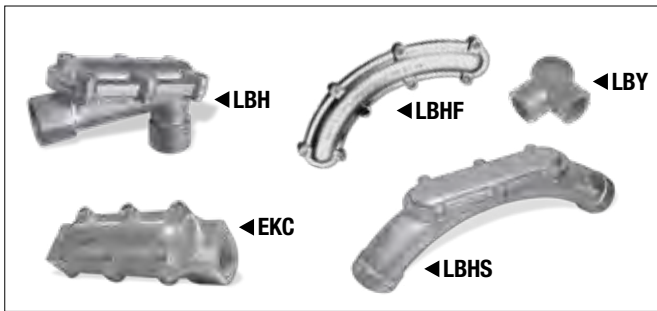


EX CONDUIT FITTINGS





Installation: hazardous areas - Zone 1 / 2 (Gases) - Zone 21 / 22 (Dusts)
Classification: Group II - Category 2G 2D



REFERENCE STANDARDS

Directive 2014/34/EU

EXECUTION	<ul style="list-style-type: none"> ⊗ II 2 G Ex db IIC Gb ⊗ II 2 G Ex eb IIC Gb ⊗ II 2 D Ex tb IIIC Db
RULES OF COMPLIANCE	EN/IEC 60079-0; EN/IEC 60079-1; EN/IEC 60079-7; EN/IEC 60079-31
EC Type-Examination Certificate	INERIS 16 ATEX 0007X (LBH - LBY only)
PROTECTION DEGREE	IP66
AMBIENT TEMPERATURE	-60°C ÷ +130°C
OTHER AVAILABLE CERTIFICATES	IECEx: IECEx INE 16.0014X (LBH - LBY only) INMETRO: CEPTEL 13.2229U EAC: TC RU C-IT.BH02.B.00587 RINA: ELE18111CS_015 RUSSIAN MARINE CERTIFICATE (RMRS): 19.02521.280 UL NEC 505: 20131204-E465038 (LBY series only) CCOE-PESO: P413653/1

Mechanical characteristics

Body and cover	marine grade copper free aluminum light alloy
Screws	galvanized steel

Applications

OPEN BENDS AND PULLING BOXES ARE USED FOR THE WIRING IN ELECTRICAL CONDUIT PLANTS.
PROVIDING FOR A GAP ON THE BACK IS MORE 'EASY INSPECTION AND THE INCLUSION OF ELECTRIC CABLES.



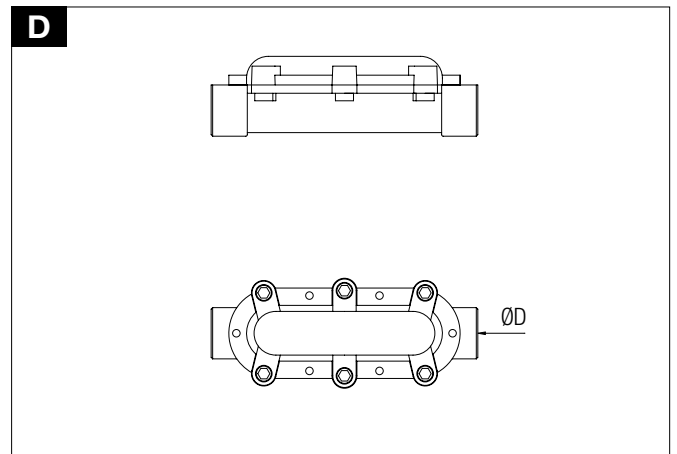
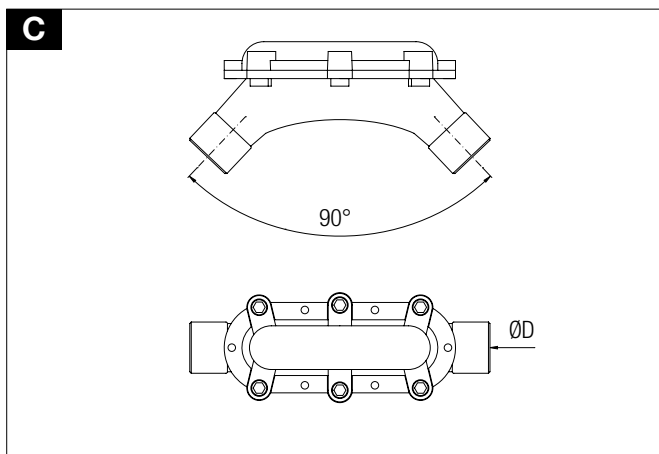
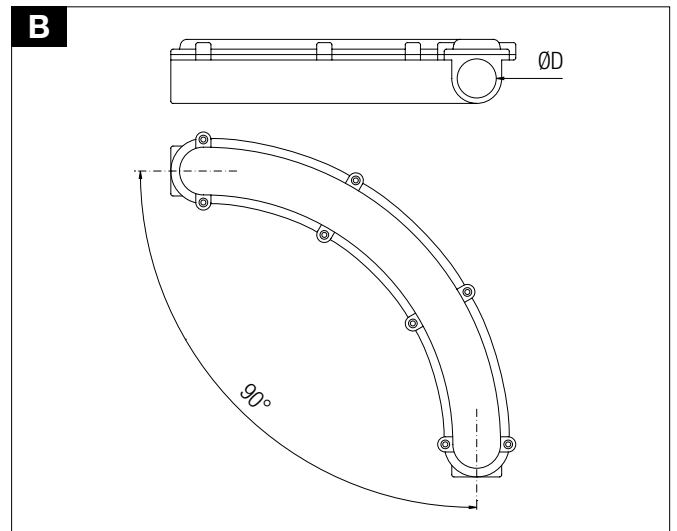
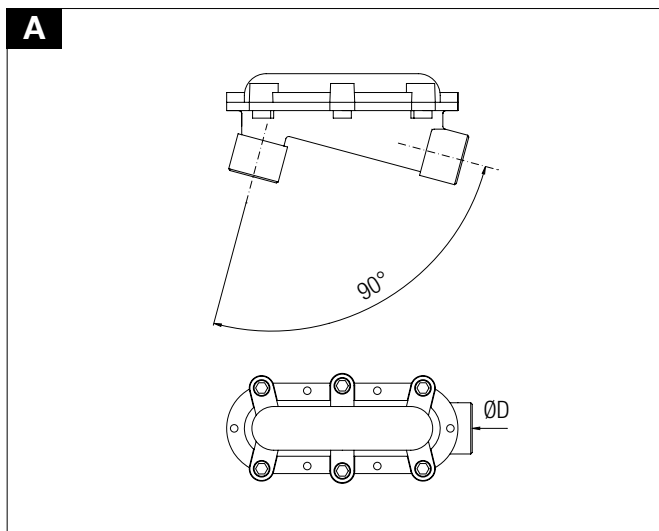
On Request Accessories:

- Different thread from standard
- Stainless steel screws
- Painting

Technical Features

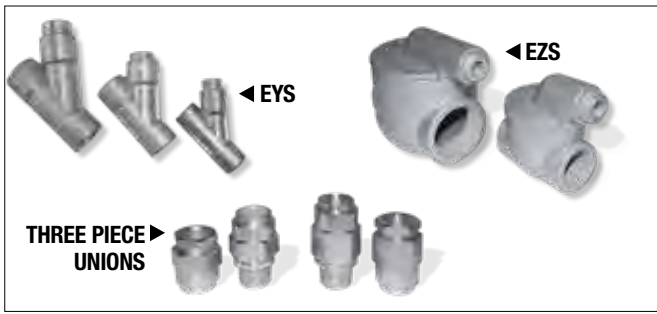
DETAIL "A"	DETAIL "B"	DETAIL "C"	DETAIL "D"	ØD HUBS (EN 10226-2 OR NPT)
TYPE	TYPE	TYPE	TYPE	
LBH2	LBHF2	LBHS2	EKC2	2 x 3/4"
LBH3	LBHF3	LBHS3	EKC3	2 x 1"
LBH4	-	-	EKC4	2 x 1-1/4"
LBH5	LBHF5	LBHS5	EKC5	2 x 1-1/2"
LBH6	LBHF6	LBHS6	EKC6	2 x 2"
LBH7	LBHF7	LBHS7	EKC7	2 x 2-1/2"
LBH8	LBHF8	LBHS8	EKC8	2 x 3"
LBH9	LBHF9	LBHS9	-	2 x 3-1/2"
LBH10	LBHF10	LBHS10	-	2 x 4"
LBH11	LBHF11	LBHS11	-	2 x 5"
LBH12	LBHF12	LBHS12	-	2 x 6"

Reference Details



REMARK:

Due to the development of the national and international specifications and of the technology, the above technical characteristics showed on this bulletin can be considered as binding on our confirmation only.



Installation: hazardous areas - Zone 1 / 2 (Gases) - Zone 21 / 22 (Dusts)
Classification: Group II - Category 2G 2D



REFERENCE STANDARDS

Directive 2014/34/EU

EXECUTION	<ul style="list-style-type: none"> ⊗ II 2 G Ex d IIC Gb ⊗ II 2 D Ex tb IIIC Db
RULES OF COMPLIANCE	EN/IEC 60079-0; EN/IEC 60079-1; EN/IEC 61241-0; EN/IEC 61241-1
EC Type-Examination Certificate	ICEPI 11 ATEX 03C002 (sealing fittings) INERIS 12 ATEX 0069X (three pieces union)
PROTECTION DEGREE	IP66 (sealing fittings) IP66/IP67 (three pieces union)
AMBIENT TEMPERATURE	-20°C ÷ +60°C
OTHER AVAILABLE CERTIFICATES	<ul style="list-style-type: none"> IECEX: IECEX INE 12.0051X (three pieces union) INMETRO: CEPPEL 13.2243U (three pieces union) EAC: TC RU C-IT.BH02.B.00587 (-60°C ÷ +80°C) RUSSIAN MARINE CERTIFICATE (RMRS): 19.02521.280 UL NEC-505: 20131204-E465038 (three pieces union)

SEALING FITTINGS - Mechanical characteristics

Material	marine grade copper free aluminum light alloy
----------	---

THREE PIECE UNIONS - Mechanical characteristics

Material	galvanized steel
Gasket	silicon rubber EPDM



On Request Accessories:

- Different threads from standard
- Different materials from standard

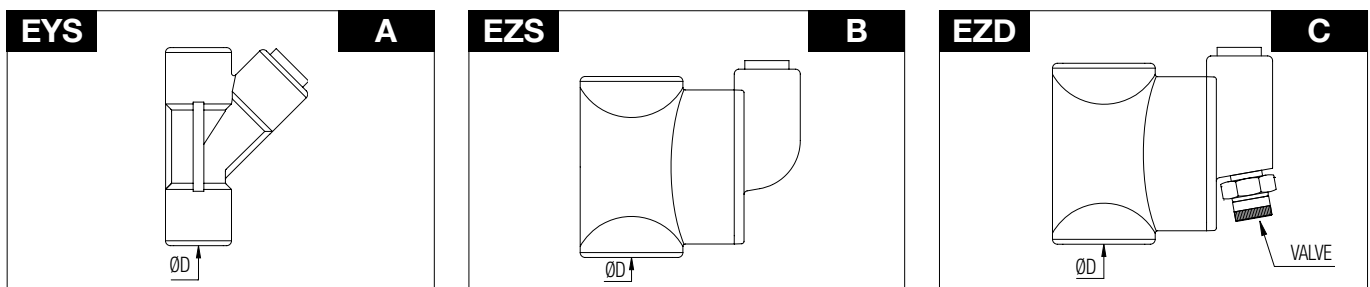
Technical Features

DETAIL "A"	DETAIL "B"	DETAIL "C"	ØD HUBS (UNI6125 OR NPT)
TYPE	TYPE	TYPE	
EYS1	EZS1	EZD1	1/2"
EYS2	EZS2	EZD2	3/4"
EYS3	EZS3	EZD3	1"
-	EZS5	EZD5	1-1/2"
-	EZS6	EZD6	2"
-	EZS7	EZD7	2-1/2"
-	EZS8	EZD8	3"

Sealing compound table

SIZE	EYS	EZS - EZD
	QUANTITY [gr]	QUANTITY [gr]
1	35	140
2	50	140
3	100	140
5	-	390
6	-	570
7	-	1000
8	-	1000

SEALING FITTINGS TO BE SEALED BY MEANS OF CRV-420 BI-COMPONENT SEALING COMPOUND PLEASE REFER TO SEALING TABLE FOR QUANTITIES.

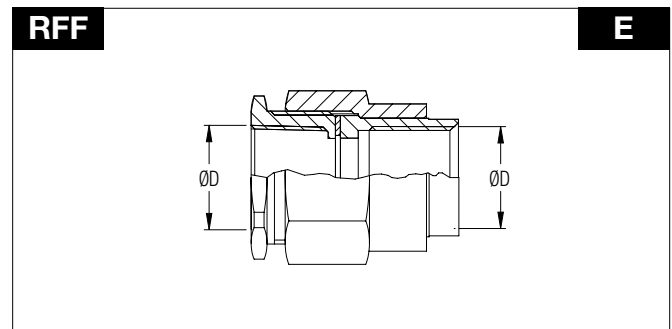
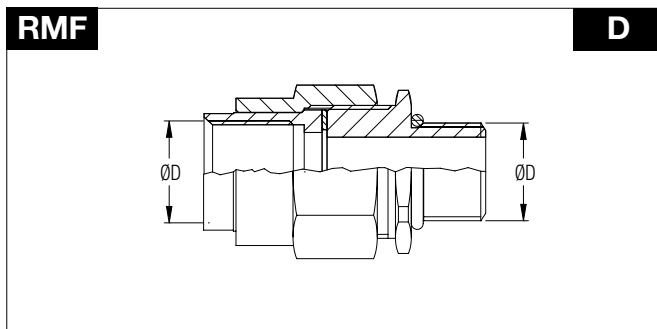


THREE PIECES UNION - Technical Features

THREE PIECE UNION MALE/FEMALE Ex d IIC		
TYPE	ØD	DETAIL
RMF1	1/2"	D
RMF2	3/4"	D
RMF3	1"	D
RMF4	1-1/4"	D
RMF5	1-1/2"	D
RMF6	2"	D
RMF7	2-1/2"	D
RMF8	3"	D

THREE PIECE UNION MALE/MALE Ex d IIC		
TYPE	ØD	DETAIL
RMM1	1/2"	D
RMM2	3/4"	D
RMM3	1"	D
RMM4	1-1/4"	D
RMM5	1-1/2"	D
RMM6	2"	D
RMM7	2-1/2"	D
RMM8	3"	D

THREE PIECE UNION FEMALE/FEMALE Ex d IIC		
TYPE	ØD	DETAIL
RFF1	1/2"	E
RFF2	3/4"	E
RFF3	1"	E
RFF4	1-1/4"	E
RFF5	1-1/2"	E
RFF6	2"	E
RFF7	2-1/2"	E
RFF8	3"	E



REMARK:

Due to the development of the national and international specifications and of the technology, the above technical characteristics showed on this bulletin can be considered as binding on our confirmation only.



Installation: hazardous areas - Zone 1 / 2 (Gases) - Zone 21 / 22 (Dusts)
Classification: Group II - Category 2G 2D



REFERENCE STANDARDS

Directive 2014/34/EU	
EXECUTION	<ul style="list-style-type: none"> ⊗ II 2 G Ex db IIC Gb ⊗ II 2 G Ex eb IIC Gb ⊗ II 2 D Ex tb IIIC Db
RULES OF COMPLIANCE	EN/IEC 60079-0; EN/IEC 60079-1; EN/IEC 60079-7; EN/IEC 60079-31
EC Type-Examination Certificate	INERIS 16 ATEX 0007X
PROTECTION DEGREE	IP66
AMBIENT TEMPERATURE	-60°C ÷ +130°C
OTHER AVAILABLE CERTIFICATES	IECEx: IECEx INE 16.0014X INMETRO: CEPEL 13.2223U EAC: TC RU C-IT.BH02.B.00587 RINA: ELE18111CS_015 RUSSIAN MARINE CERTIFICATE (RMRS): 19.02521.280 UL NEC-505: 20131204-E465038 CCOE-PESO: P413653/1

Mechanical characteristics

Reducers materials	galvanized steel (AZ)
Adaptors materials	OT-58 marine brass (OT) - nichel plated brass (ON) - AISI-316L stainless steel (IX) - galvanized steel (AZ)
Finishes	full nickel plating threatment (brass material only)
Gasket	silicon rubber EPDM / NYLON

Applications

EXPLOSION PROOF REDUCER AND ADAPTORS ARE USED TO CONNECT VARIOUS EQUIPMENT: ENCLOSURES, LIGHTING FIXTURES, JUNCTION AND PULLING BOXES ECT. OF DIFFERENT DIAMETERS AND THREADS



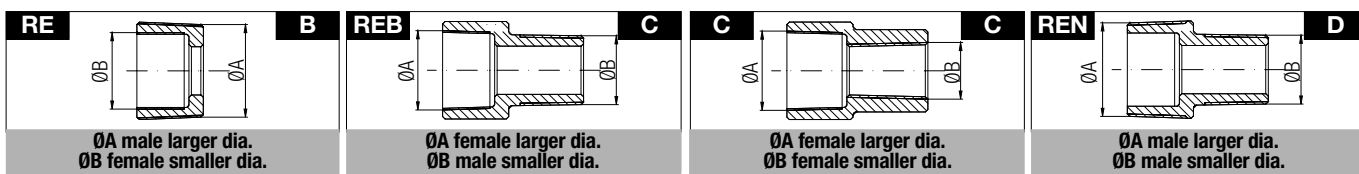
On Request Accessories:

- Different threads from standard
- Different materials from standard
- Silicon Rubber Gaskets

REDUCERS - Technical Features

RING REDUCERS - RE				REDUCERS BUSHING - REB				REDUCERS COUPLING - REM				REDUCERS NIPPLE - REN			
TYPE	ØA MALE	ØB FEMALE	DET.	TYPE	ØA MALE	ØB FEMALE	DET.	TYPE	ØA FEMALE	ØA FEMALE	DET.	TYPE	ØA MALE	ØA MALE	DET.
RE21	3/4"	1/2"	A	REB21	1/2"	3/4"	B	REM21	3/4"	1/2"	C	REN21	3/4"	1/2"	D
RE31	1"	1/2"	A	REB31	1/2"	1"	B	REM31	1"	1/2"	C	REN31	1"	1/2"	D
RE32	1"	3/4"	A	REB32	3/4"	1"	B	REM32	1"	3/4"	C	REN32	1"	3/4"	D
RE41	1-1/4"	1/2"	A	REB41	1/2"	1-1/4"	B	REM41	1-1/4"	1/2"	C	REN41	1-1/4"	1/2"	D
RE42	1-1/4"	3/4"	A	REB42	3/4"	1-1/4"	B	REM42	1-1/4"	3/4"	C	REN42	1-1/4"	3/4"	D
RE43	1-1/4"	1"	A	REB43	1"	1-1/4"	B	REM43	1-1/4"	1"	C	REN43	1-1/4"	1"	D
RE51	1-1/2"	1/2"	A	REB51	1/2"	1-1/2"	B	REM51	1-1/2"	1/2"	C	REN51	1-1/2"	1/2"	D
RE52	1-1/2"	3/4"	A	REB52	3/4"	1-1/2"	B	REM52	1-1/2"	3/4"	C	REN52	1-1/2"	3/4"	D
RE53	1-1/2"	1"	A	REB53	1"	1-1/2"	B	REM53	1-1/2"	1"	C	REN53	1-1/2"	1"	D
RE54	1-1/2"	1-1/4"	A	REB54	1-1/4"	1-1/2"	B	REM54	1-1/2"	1-1/4"	C	REN54	1-1/2"	1-1/4"	D
RE61	2"	1/2"	A	REB61	1/2"	2"	B	REM61	2"	1/2"	C	REN61	2"	1/2"	D
RE62	2"	3/4"	A	REB62	3/4"	2"	B	REM62	2"	3/4"	C	REN62	2"	3/4"	D
RE63	2"	1"	A	REB63	1"	2"	B	REM63	2"	1"	C	REN63	2"	1"	D
RE64	2"	1-1/4"	A	REB64	1-1/4"	2"	B	REM64	2"	1-1/4"	C	REN64	2"	1-1/4"	D
RE65	2"	1-1/2"	A	REB65	1-1/2"	2"	B	REM65	2"	1-1/2"	C	REN65	2"	1-1/2"	D
RE71	2-1/2"	1/2"	A	REB71	1/2"	2-1/2"	B	REM71	2-1/2"	1/2"	C	REN71	2-1/2"	1/2"	D
RE72	2-1/2"	3/4"	A	REB72	3/4"	2-1/2"	B	REM72	2-1/2"	3/4"	C	REN72	2-1/2"	3/4"	D
RE73	2-1/2"	1"	A	REB73	1"	2-1/2"	B	REM73	2-1/2"	1"	C	REN73	2-1/2"	1"	D
RE74	2-1/2"	1-1/4"	A	REB74	1-1/4"	2-1/2"	B	REM74	2-1/2"	1-1/4"	C	REN74	2-1/2"	1-1/4"	D
RE75	2-1/2"	1-1/2"	A	REB75	1-1/2"	2-1/2"	B	REM75	2-1/2"	1-1/2"	C	REN75	2-1/2"	1-1/2"	D
RE76	2-1/2"	2"	A	REB76	2"	2-1/2"	B	REM76	2-1/2"	2"	C	REN76	2-1/2"	2"	D
RE81	3"	1/2"	A	REB81	1/2"	3"	B	REM81	3"	1/2"	C	REN81	3"	1/2"	D
RE82	3"	3/4"	A	REB82	3/4"	3"	B	REM82	3"	3/4"	C	REN82	3"	3/4"	D
RE83	3"	1"	A	REB83	1"	3"	B	REM83	3"	1"	C	REN83	3"	1"	D
RE84	3"	1-1/4"	A	REB84	1-1/4"	3"	B	REM84	3"	1-1/4"	C	REN84	3"	1-1/4"	D
RE85	3"	1-1/2"	A	REB85	1-1/2"	3"	B	REM85	3"	1-1/2"	C	REN85	3"	1-1/2"	D
RE86	3"	2"	A	REB86	2"	3"	B	REM86	3"	2"	C	REN86	3"	2"	D
RE87	3"	2-1/2"	A	REB87	2-1/2"	3"	B	REM87	3"	2-1/2"	C	REN87	3"	2-1/2"	D

New available sizes on demand: 3-1/2" - 4" - 5" - 6"



Identification adaptors selection table

SIZE LARGER DIAMETER
02 / 03 / 04 / 05 / 06 / 06 / 07 / 08
LARGER DIA. TYPE OF THREAD
R-Rc (EN 10226-2), P(PG), N (NPT), G (ISO 228), M (ISO-metric)
SIZE SMALLER DIAMETER
01 / 02 / 03 / 04 / 05 / 06 / 06 / 07
SMALLER DIA. TYPE OF THREAD
R-Rc (EN 10226-2), P(PG), N (NPT), G (ISO 228), M (ISO-metric)
MATERIAL
IX (stainless steel), ON (nikel plated brass), OT (marine brass)

	TYPE	SIZE LARGER DIAMETER	THREAD	SIZE SMALLER DIAMETER	THREAD	MATERIAL
EXAMPLE 1	RE	02	R-Rc	01	G	ON
EXAMPLE 2	REB	03	N	-	M40	IX

EXAMPLE 1: RE02K01GON= RUDUCER TYPE RE MALE 3/4" 6125 - FEMALE 1/2" ISO228 NIKEL PLATED BRASS

EXAMPLE 2: REB03NM40IX= REDUCER TYPE REB MALE 1"NPT - FEMALE M40 STAINLESS STEEL

REMARK:

Due to the development of the national and international specifications and of the technology, the above technical characteristics showed on this bulletin can be considered as binding on our confirmation only.





Installation: hazardous areas - Zone 1 / 2 (Gases) - Zone 21 / 22 (Dusts)

Classification: Group II - Category 2G 2D



REFERENCE STANDARDS

Directive 2014/34/EU	
EXECUTION	<ul style="list-style-type: none"> ⊗ II 2 G Ex db IIC Gb ⊗ II 2 G Ex eb IIC Gb ⊗ II 2 D Ex tb IIIC Db
RULES OF COMPLIANCE	EN/IEC 60079-0; EN/IEC 60079-1; EN/IEC 60079-7; EN/IEC 60079-31
EC Type-Examination Certificate	INERIS 16 ATEX 0007X
PROTECTION DEGREE	IP66
AMBIENT TEMPERATURE	60°C ÷ +130°C
OTHER AVAILABLE CERTIFICATES	IECEx: IECEx INE 16.0014X INMETRO: CEPEL 13.2219U (plug) CEPEL 13.2221U (drain breather valve) CEPEL 13.2225U (nipples and coupling) CEPEL 13.2227U (elbows) EAC: TC RU C-IT.BH02.B.00587 RINA: ELE18111CS_015 RUSSIAN MARINE CERTIFICATE (RMRS): 19.02521.280 UL NEC-505: 20131204-E465038 CCOE-PESO: P413653/1

Mechanical characteristics

PLUGS - LOCKNUTS	
Material - plugs	marine grade copper free aluminum light alloy - galvanized steel - stainless steel - nichel plated brass
Material - locknuts	galvanized steel - stainless steel nichel plated brass - aluminium
ELBOWS . BUSHINGS	
Material	marine grade copper free aluminum light alloy - galvanized steel
Screws	stainless steel (DBT only)
NIPPLES - COUPLINGS	
Material	galvanized steel - stainless steel (nipples only)
DRAIN/BREATHER VALVES	
Material	stainless steel AISI 316L
Gasket	silicon rubber

(1) REMARK: locknuts DL type and bushings DB-DBT type are not covered by Ex certificate



On Request Accessories:

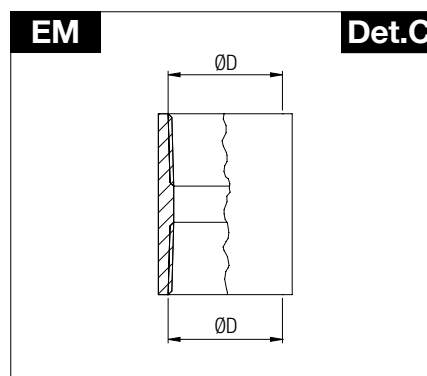
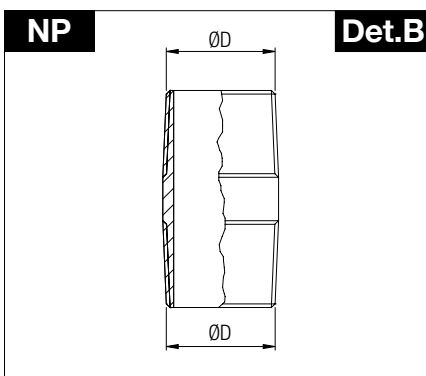
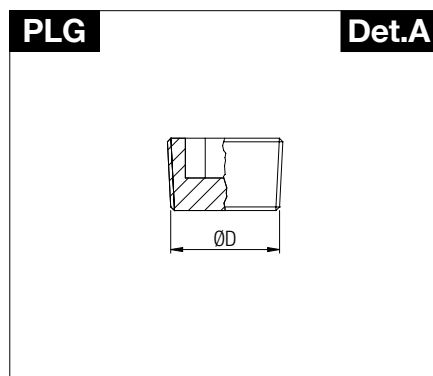
- Different threads from standard
- Different metal materials from standard

Technical Features

DETAIL "A"	
MALE PLUGS	
TYPE	ØD
PLG1	1/2"
PLG2	3/4"
PLG3	1"
PLG4	1-1/4"
PLG5	1-1/2"
PLG6	2"
PLG7	2-1/2"
PLG8	3"
PLG9	3-1/2"
PLG10	4"
PLG11	5"
PLG12	6"

DETAIL "B"	
NIPPLES	
TYPE	ØD
NP1	1/2"
NP2	3/4"
NP3	1"
NP4	1-1/4"
NP5	1-1/2"
NP6	2"
NP7	2-1/2"
NP8	3"
NP9	3-1/2"
NP10	4"
NP11	5"
NP12	6"

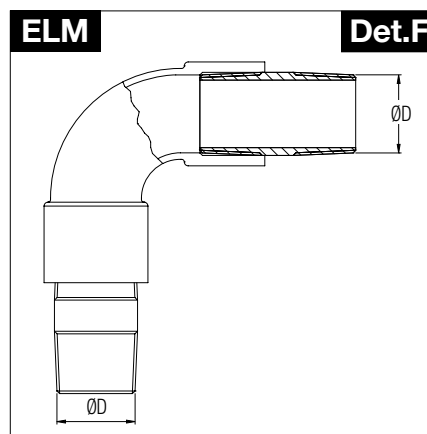
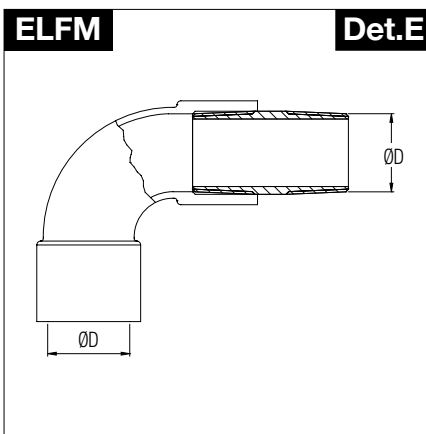
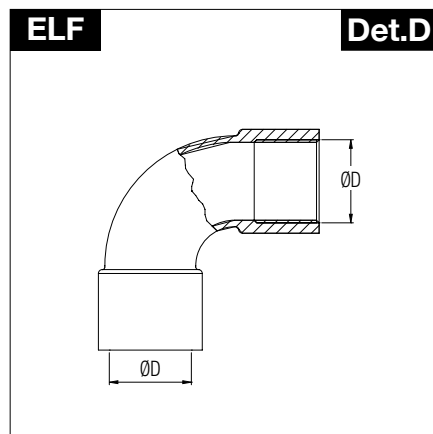
DETAIL "C"	
COUPLING	
TYPE	ØD
EM1	1/2"
EM2	3/4"
EM3	1"
EM4	1-1/4"
EM5	1-1/2"
EM6	2"
EM7	2-1/2"
EM8	3"
EM9	3-1/2"
EM10	4"
EM11	5"
EM12	6"



DETAIL "D"	
90deg ELBOWS FEMALE - FEMALE	
TYPE	ØD
ELF1	1/2"
ELF2	3/4"
ELF3	1"
ELF4	1-1/4"
ELF5	1-1/2"
ELF6	2"
ELF7	2-1/2"
ELF8	3"
ELF9	3-1/2"
ELF10	4"
ELF11	5"
ELF12	6"

DETAIL "E"	
90deg ELBOWS FEMALE - MALE	
TYPE	ØD
ELFM1	1/2"
ELFM2	3/4"
ELFM3	1"
ELFM4	1-1/4"
ELFM5	1-1/2"
ELFM6	2"
ELFM7	2-1/2"
ELFM8	3"
ELFM9	3-1/2"
ELFM10	4"
ELFM11	5"
ELFM12	6"

DETAIL "F"	
90deg ELBOWS MALE - MALE	
TYPE	ØD
ELM1	1/2"
ELM2	3/4"
ELM3	1"
ELM4	1-1/4"
ELM5	1-1/2"
ELM6	2"
ELM7	2-1/2"
ELM8	3"
ELM9	3-1/2"
ELM10	4"
ELM11	5"
ELM12	6"





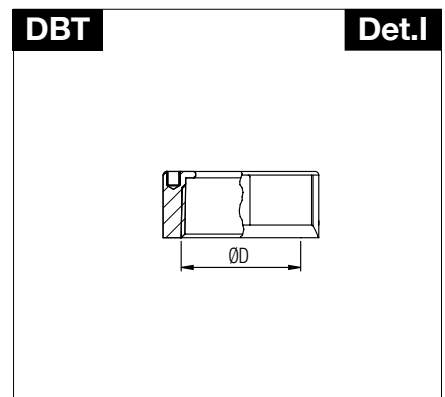
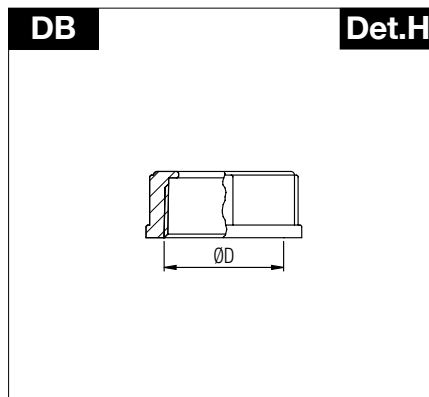
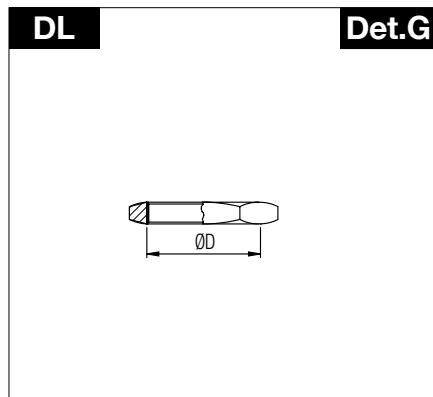
Technical Features

DETAIL "G"	
LOCKNUTS (*)	
TYPE	ØD
DL1	1/2"
DL2	3/4"
DL3	1"
DL4	1-1/4"
DL5	1-1/2"
DL6	2"
DL7	2-1/2"
DL8	3"
DL10	4"

DETAIL "H"	
BUSHINGS (*)	
TYPE	ØD
DB1	1/2"
DB2	3/4"
DB3	1"
DB4	1-1/4"
DB5	1-1/2"
DB6	2"
DB7	2-1/2"
DB8	3"
DB10	4"

DETAIL "I"	
BUSHINGS WITH EARTH SCREWS (*)	
TYPE	ØD
DBT1	1/2"
DBT2	3/4"
DBT3	1"
DBT4	1-1/4"
DBT5	1-1/2"
DBT6	2"
DBT7	2-1/2"
DBT8	3"
DBT10	4"

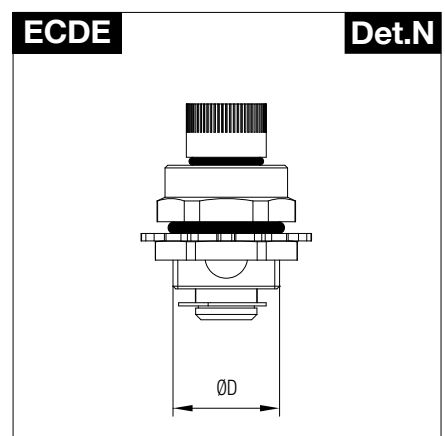
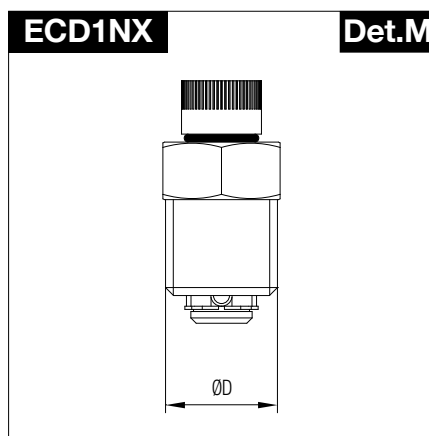
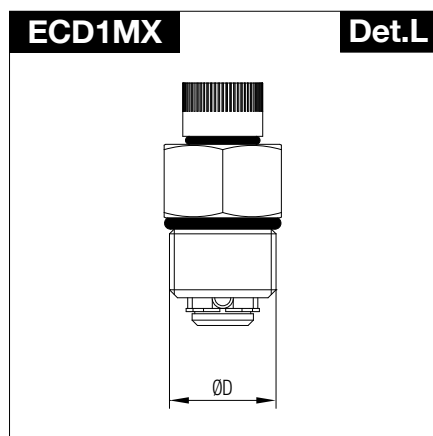
(*) **REMARK:** locknuts DL type and bushings DB-DBT type are not covered by Ex certificate.



DETAIL "L"	
DRAIN/BREATHER VALVE FOR Ex d... ENCLOSURES	
TYPE	ØD
ECD1MX	M20

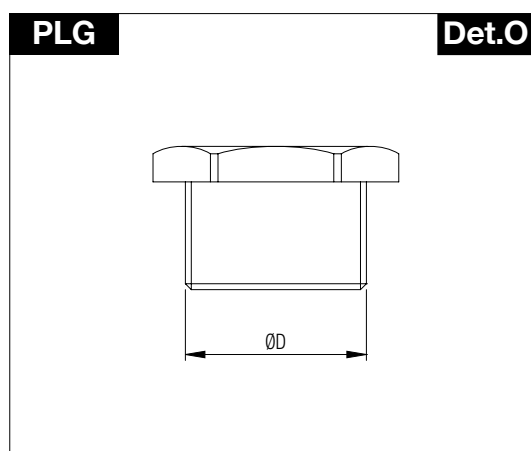
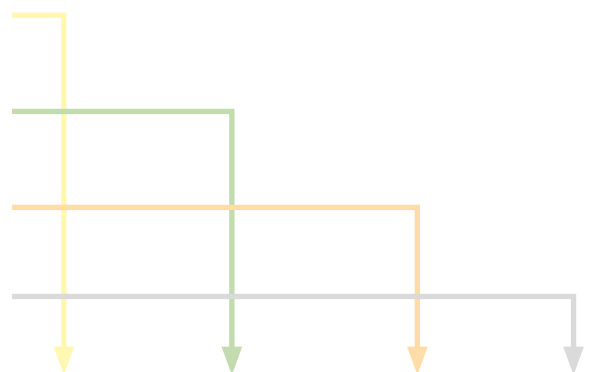
DETAIL "M"	
DRAIN/BREATHER VALVE FOR Ex d... ENCLOSURES	
TYPE	ØD
ECD1NX	1/2" NPT

DETAIL "N"	
DRAIN/BREATHER VALVE FOR ESA/ESX ENCLOSURES	
TYPE	ØD
ECDE	M20



Technical Features

Identification stopping plugs selection table	
TYPE (Fig.0)	
PLG	
THREAD / DIAMETER	
01 / 02 / 03 / 04 / 05 / 06 / 06 / 07 / 08 / 09 / 10 / 11 / 12	
TYPE OF THREAD	
R-Rc (EN 10226-2), P(PG), N (NPT), G (ISO 228), M (ISO-metric)	
MATERIAL	
IX (stainless steel), ON (marine brass)	



	TYPE	THREAD DIAMETER	TYPE OF THREAD	MATERIAL
EXAMPLE 1	PLG	6	R-Rc	ON
EXAMPLE 2	PLG	3	N	IX
EXAMPLE 3	PLG	2	G	IX
EXAMPLE 4	PLG	2	M	IX
EXAMPLE 5	PLG	5	R-Rc	IX

- EXAMPLE 1:** PLG6KON= NICKEL PLATED BRASS STOPPING PLUG 2"UNI-6125
- EXAMPLE 2:** PLG3NIX= STAINLESS STEEL AISI-316L STOPPING PLUG 1"NPT
- EXAMPLE 3:** PLG20GIX= STAINLESS STEEL AISI-316L STOPPING PLUG 3/4"ISO-228
- EXAMPLE 4:** PLG2MIX= STAINLESS STEEL AISI-316L STOPPING PLUG ISO-M25
- EXAMPLE 5:** PLG5KIX= STAINLESS STEEL AISI-316L STOPPING PLUG 1 1/2"UNI-6125

REMARK:
Due to the development of the national and international specifications and of the technology, the above technical characteristics showed on this bulletin can be considered as binding on our confirmation only.



Installation: hazardous areas - Zone 1 / 2 (Gases) - Zone 21 / 22 (Dusts)
Classification: Group II - Category 2G 2D



REFERENCE STANDARDS

Directive 2014/34/EU

EXECUTION	<ul style="list-style-type: none"> ⊗ II 2 G Ex d IIC Gb ⊗ II 2 D Ex tb IIIC Db
RULES OF COMPLIANCE	EN/IEC 60079-0; EN/IEC 60079-1; EN/IEC 60079-31
EC Type-Examination Certificate	INERIS 12 ATEX9012U
PROTECTION DEGREE	IP66/67
AMBIENT TEMPERATURE	-50°C ÷ +130°C
OTHER AVAILABLE CERTIFICATES	IECEx: IECEx INE 12.0043U INMETRO: CEPEL 13.2241 EAC: TC RU C-IT.BH02.B.00587 (-60°C ÷ +130°C) RUSSIAN MARINE CERTIFICATE (RMRS): 19.02521.280

Mechanical characteristics

Internal flexible pipe	stainless steel
External braid	stainless steel
Terminals	threaded terminals in stainless steel or cold galvanized steel

Applications

FLEXIBLE CONDUITS ARE INSTALLED WHERE CONNECTIONS MUST BE MADE TO EQUIPMENT SUBJECT TO VIBRATIONS: MOTORS, PUMPS, ETC.
 ALSO FAVOURED FOR CONNECTION TO PEDANT LIGHTING FITTING AND AT BENDS WHERE RIGID CONDUITS IS DIFFICULT TO HANDLE.



On Request Accessories:

- Different lengths from standard
- PVC coating
- Female thread end terminal
- Male or female thread revolving end terminal

Technical Features

TERMINAL ENDS	SIZE	THREAD NPT	INTERNAL DIA. [ØA] [mm]	EXTERNAL DIA. [ØB] [mm]	C - LENGHT [mm]	TERMINAL'S MATERIAL
H*	1N	(1/2")	12	21,5	300	XC or XB (stainless steel) - GB (galvanized steel)
H*	2N	(3/4)	16	29	300	XC or XB (stainless steel) - GB (galvanized steel)
H*	3N	(1")	25	37,5	400	XC or XB (stainless steel) - GB (galvanized steel)
H*	4N	(1-1/4")	32	46,8	400	XC or XB (stainless steel) - GB (galvanized steel)
H*	5N	(1-1/2")	38	53	400	XC or XB (stainless steel) - GB (galvanized steel)
H*	6N	(2")	50	68	400	XC or XB (stainless steel) - GB (galvanized steel)
H*	7N	(2-1/2")	63	85	400	XC or XB (stainless steel) - GB (galvanized steel)
H*	8N	(3")	75	99	400	XC or XB (stainless steel) - GB (galvanized steel)
H*	10N	(4")	100	122	400	XC or XB (stainless steel) - GB (galvanized steel)

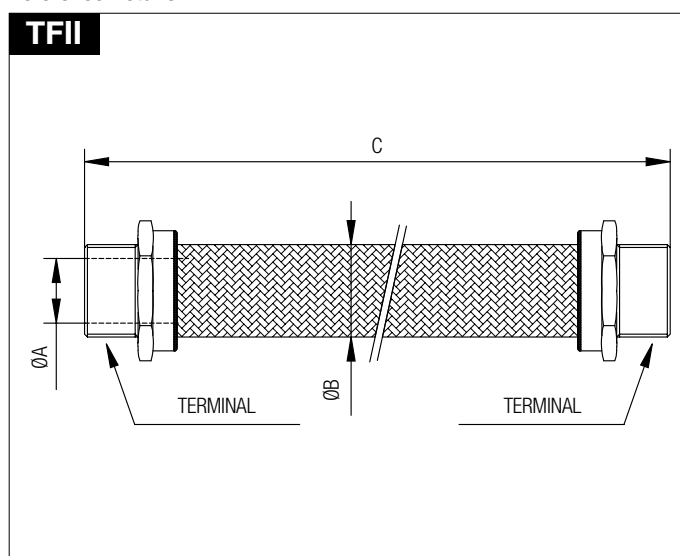
	TERMINAL ENDS	SIZE	C - LENGHT [mm]	TERMINAL'S MATERIAL
TFII#	H	2N	0500	XC or XB
TFII#	N	6N	1000	GB

EXAMPLE 1: TFII#H2N00500XC = Flexible Conduit 3/4" Dia. 500mm total lenght c/w stainless steel NPT thread fix male/fix male, Ex C execution

EXAMPLE 2: TFII#N6N01000GB = Flexible Conduit 2" Dia. 1000mm total lenght c/w galvanized steel / fix male / revolving male, Ex B execution

End 1 \ End 2	Execution IIC		Execution IIB		Execution IIC		
	Fixed male NF	Fixed female CF	Revolving male BM	Revolving female BF	Revolving male RM	Revolving female RF	
Execution IIC	Fixed male NF	TFII (H)	TFII (G)	TFII (N)	TFII (I)	TFII (RN)	TFII (RI)
	Fixed female CF		TFII (Z)	TFII (Y)	TFII (D)	TFII (RY)	TFII (RD)
Execution IIB	Revolving male BM		TFII (P)	TFII (E)			
	Revolving female BF			TFII (T)			
Execution IIC	Revolving male RM				TFII (RP)	TFII (RE)	
	Revolving female RF					TFII (RT)	

Reference Details



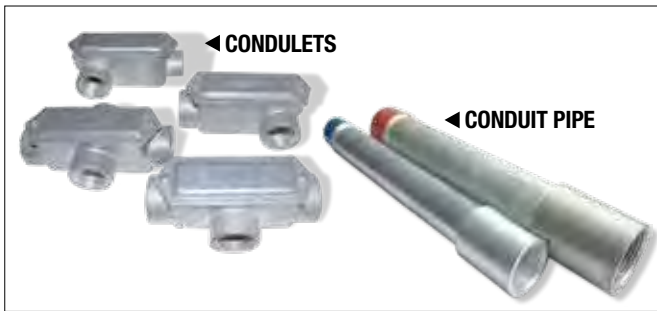
Standard lengths

STANDARD LENGTHS [mm]	FLEXIBLE CONDUIT SIZE							
	01	02	03	04	05	06	07	08
300	X	X	-	-	-	-	-	-
400	X	X	X	X	X	X	X	X
450	X	X	X	X	X	X	X	X
500	X	X	X	X	X	X	X	X
600	X	X	X	X	X	X	X	X
700	X	X	X	X	X	X	X	X
800	X	X	X	X	X	X	X	X
900	X	X	X	X	X	X	X	X
1000	X	X	X	X	X	X	X	X

*FLEX. CONDUIT PIPES WITH LENGHS DIFFERENT THAN STANDARD, PLEASE CONTACT OUR SALES DEPT.

REMARK:

Due to the development of the national and international specifications and of the technology, the above technical characteristics showed on this bulletin can be considered as binding on our confirmation only.



Installation: Safe Area

Classification: IP66



REFERENCE STANDARDS

VAPOUR TIGHT CONDULETS

CEI / EN

EXECUTION	INDUSTRIAL WATERPROOF
AMBIENT TEMPERATURE	-
PROTECTION DEGREE	IP 66
CERTIFICATE REF.	-
RULES OF COMPLIANCE	CEI / EN 60529

RIGID STEEL CONDUIT

CEI / EN

EXECUTION	-
AMBIENT TEMPERATURE	-
PROTECTION DEGREE	IP65 - IP66
CERTIFICATE REF.	-
RULES OF COMPLIANCE	UNI 7683

Mechanical characteristics

VAPOUR TIGHT CONDULETS

Material	marine grade copper free aluminum light alloy
Screws	galvanized steel
Gasket	neoprene

***RIGID STEEL CONDUIT UNI7683**

Material	hot dip galvanized steel
Finishes	hot galvanized according to UNI 5745

* Complete with one coupling at one end and plastic protecting cap at the other end. Suppliable in bars 3mt. Or 6mt. Lenght, contact our sales dept for the availability.

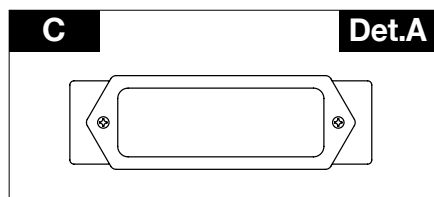


On Request Accessories:

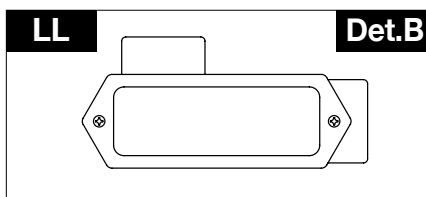
- Different threads from standard

Technical Features

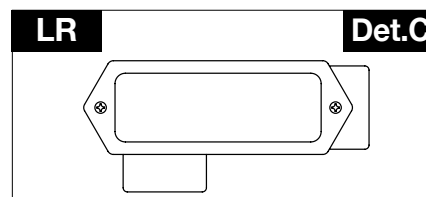
DETAIL "A"	
CONDULETS TYPE "C"	
TYPE	HUBS SIZE
C17	2 x 1/2"
C27	2 x 3/4"
C37	2 x 1"
C47	2 x 1-1/4"
C57	2 x 1-1/2"
C67	2 x 2"
C77	2 x 2-1/2"
C87	2 x 3"



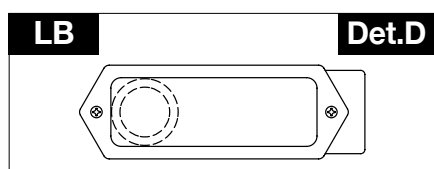
DETAIL "B"	
CONDULETS TYPE "LL"	
TYPE	HUBS SIZE
LL17	2 x 1/2"
LL27	2 x 3/4"
LL37	2 x 1"
LL47	2 x 1-1/4"
LL57	2 x 1-1/2"
LL67	2 x 2"
LL77	2 x 2-1/2"
LL87	2 x 3"



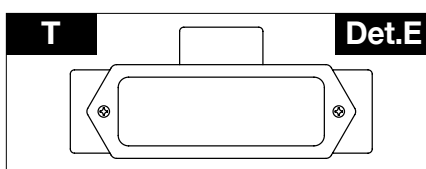
DETAIL "C"	
CONDULETS TYPE "LR"	
TYPE	HUBS SIZE
LR17	2 x 1/2"
LR27	2 x 3/4"
LR37	2 x 1"
LR47	2 x 1-1/4"
LR57	2 x 1-1/2"
LR67	2 x 2"
LR77	2 x 2-1/2"
LR87	2 x 3"



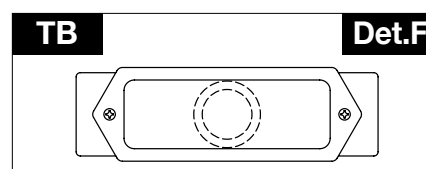
DETAIL "D"	
CONDULETS TYPE "LB"	
TYPE	HUBS SIZE
LB17	2 x 1/2"
LB27	2 x 3/4"
LB37	2 x 1"
LB47	2 x 1-1/4"
LB57	2 x 1-1/2"
LB67	2 x 2"
LB77	2 x 2-1/2"
LB87	2 x 3"



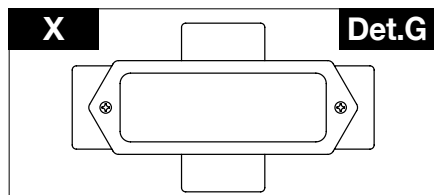
DETAIL "E"	
CONDULETS TYPE "T"	
TYPE	HUBS SIZE
T17	3 x 1/2"
T27	3 x 3/4"
T37	3 x 1"
T47	3 x 1-1/4"
T57	3 x 1-1/2"
T67	3 x 2"
T77	3 x 2-1/2"
T87	3 x 3"



DETAIL "F"	
CONDULETS TYPE "TB"	
TYPE	HUBS SIZE
TB17	3 x 1/2"
TB27	3 x 3/4"
TB37	3 x 1"
TB47	3 x 1-1/4"
TB57	3 x 1-1/2"
TB67	3 x 2"
TB77	3 x 2-1/2"
TB87	3 x 3"



DETAIL "G"	
CONDULETS TYPE "X"	
TYPE	HUBS SIZE
X17	4 x 1/2"
X27	4 x 3/4"
X37	4 x 1"
X47	4 x 1-1/4"
X57	4 x 1-1/2"
X67	4 x 2"
X77	4 x 2-1/2"
X87	4 x 3"



RIGID STEEL CONDUIT UNI 7683

Technical Features

TYPE	Ø THREADS - UNI 6125 OR NPT
ADPE1	1/2"
ADPE2	3/4"
ADPE3	1"
ADPE4	1-1/4"
ADPE5	1-1/2"
ADPE6	2"
ADPE7	2-1/2"
ADPE8	3"
ADPE10	4"

Complete with one coupling at one end and plastic protecting cap at the other end. Available in bars 3mt. or 6mt. length. Please contact our sales dept for relevant availability.

REMARK:

Due to the development of the national and international specifications and of the technology, the above technical characteristics showed on this bulletin can be considered as binding on our confirmation only.

