

EX CONTROL STATIONS





Installation: hazardous areas - Zone 1 / 2 (Gases) - Zone 21 / 22 (Dusts)
Classification: Group II - Category 2G 2D



REFERENCE STANDARDS

Directive 2014/34/EU	
EXECUTION	⊕ II 2 G Ex d IIB T6/T5 Gb ⊕ II 2 D Ex tb IIIC T85°C/ T100°C Db
RULES OF COMPLIANCE	EN/IEC 60079-0; EN/IEC 60079-1; EN/IEC 60079-31
EC Type-Examination Certificate	INERIS 03 ATEX 0047X
PROTECTION DEGREE	IP66
AMBIENT TEMPERATURE	-60°C ÷ +60°C
OTHER AVAILABLE CERTIFICATES	IECEX: IECEX INE 11.0034X INMETRO: CEPTEL 13.2253X EAC: TC RU C-IT.BH02.B.00608 RUSSIAN MARINE CERTIFICATE (RMRS): 19.02523.280

Mechanical characteristics

Body	marine grade copper free aluminium light alloy
Cover	marine grade copper free aluminium light alloy
Screws	stainless steel
Internal plate	galvanized steel



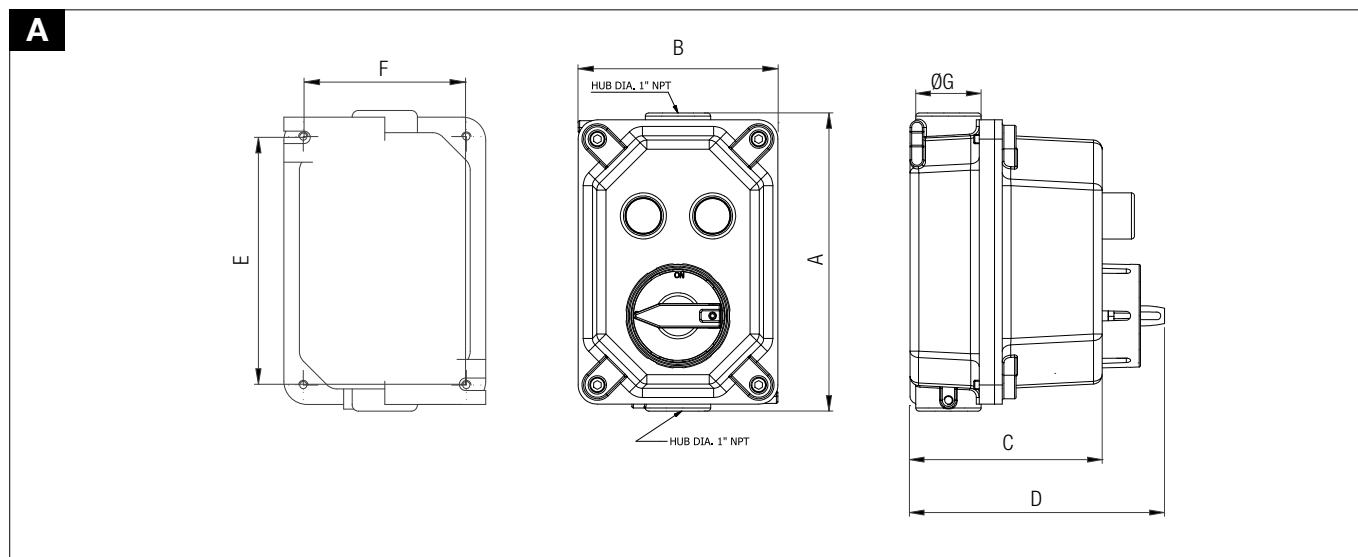
On Request Accessories:

- External epoxy painting with colour on request
- Cable entries with different threads from standards

Technical Features

CODE	A [mm]	B [mm]	C [mm]	D [mm]	E [mm]	F [mm]	Ø G [mm]	PLATE X - Y [mm]	WEIGHT [Kg]	DETAIL
EFG6	195	130	125	175	160	104	1" NPT	150 - 95	3,5	A

Reference details



Max. operators allowed diagrams

EFG6

DIAGRAM "A" DIAGRAM "A1" DIAGRAM "B" DIAGRAM "B1" DIAGRAM "C"

LEGEND:

- ① EFP PUSH BUTTON
- ② EFL PILOT LIGHT
- ③ EFI HANDLE SWITCH

MORE OPERATORS DETAILS ARE AVAILABLE ON "HANDLES-D" BULLETIN

REMARK - (A) TWIN HOLES 1-2 TYPE, CAN BE REPLACED BY ONE HOLE 3 TYPE

REMARK:

Due to the development of the national and international specifications and of the technology, the above technical characteristics showed on this bulletin can be considered as binding on our confirmation only.



Installation: hazardous areas - Zone 1 / 2 (Gases) - Zone 21 / 22 (Dusts)
Classification: Group II - Category 2G 2D



REFERENCE STANDARDS

Directive 2014/34/EU

EXECUTION	<ul style="list-style-type: none"> ⊗ II 2 G Ex d IIB T6/T5 Gb ⊗ II 2 D Ex tb IIIC T85°C/T100°C Db
RULES OF COMPLIANCE	EN/IEC 60079-0; EN/IEC 60079-1; EN/IEC 60079-31
EC Type-Examination Certificate	INERIS 03 ATEX 0047X
PROTECTION DEGREE	IP66
AMBIENT TEMPERATURE	-60°C ÷ +60°C
OTHER AVAILABLE CERTIFICATES	IECEx: IECEx INE 11.0034X INMETRO: CEPEL 13.2253X EAC: TC RU C-IT.BH02.B.00608 RUSSIAN MARINE CERTIFICATE (RMRS): 19.02523.280

Mechanical characteristics

Body	marine grade copper free aluminium light alloy
Cover	marine grade copper free aluminium light alloy
Screws	stainless steel
Internal plate	galvanized steel



On Request Accessories:

- External epoxy painting with colour on request
- Cable entries with different threads from standards

Technical Features

CODE	A [mm]	B [mm]	C [mm]	D [mm]	E [mm]	ØF [mm]	TEMPERATURE CLASS (GAS)	TEMPERATURE CLASS (DUSTS)	WEIGHT [Kg]	DETAIL
EFSC218 M310 EFSC218M310L	195	185	130	118	145	1" NPT	T4 T5	T100°C T125°C	3,45	A
EFSC218 3I3V25 EFSC2183I3V26	195	185	130	118	145	1" NPT	T4 T5	T100°C T125°C	3,10	B
EFSC218 GUSC...	195	185	130	118	155	1" NPT	T4 T5	T100°C T125°C	3,10	C
EFSC218 GUSV...	195	185	130	118	145	1" NPT	T4 T5	T100°C T125°C	3,20	D
EFSC218 SMT...	195	185	130	118	130	1" NPT	T4 T5	T100°C T125°C	2,90	E

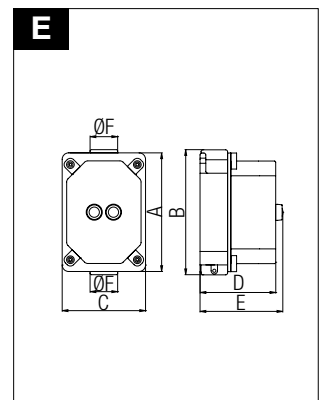
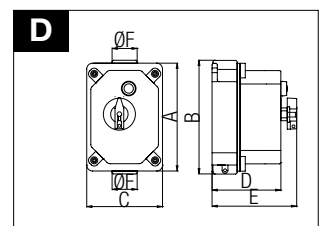
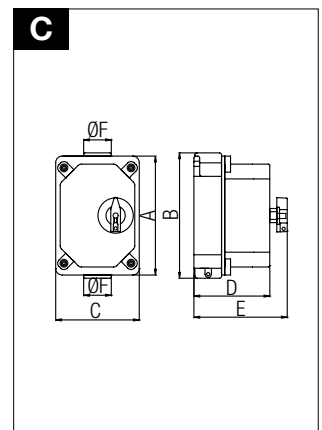
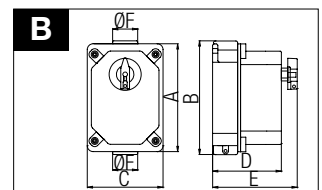
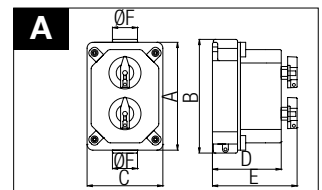
SELECTOR SWITCHES 500V 50-60Hz				
CODE	SELECTOR SWITCHES Q.TY		RATE [In]	DETAIL
	PADLOCK HANDLE	NORMAL HANDLE		
EFSC218M310	-	2	10A	A
EFSC218M310L	1	1	10A	A

THREE POLES FUSE SWITCH 500V 50-60Hz				
CODE	THREE POLE SWITCH	E16 DELAYED FUSE Q.TY	RATE [In]	DETAIL
EFSC2183I3V16	1	3	16A	B
EFSC2183I3V25	1	3	25A	B

CIRCUIT BREAKERS CURVE "C" 415V 50-60Hz 6kA				
CODE TWO POLES	CODE THREE POLES	CODE FOUR POLES	RATE [In]	DETAIL
EFSC218GUSC3206	EFSC218GUSC3306	EFSC218GUSC3406	6A	C
EFSC218GUSC3210	EFSC218GUSC3310	EFSC218GUSC3410	10A	C
EFSC218GUSC3216	EFSC218GUSC3316	EFSC218GUSC3416	16A	C
EFSC218GUSC3220	EFSC218GUSC3320	EFSC218GUSC3420	20A	C
EFSC218GUSC3225	EFSC218GUSC3325	EFSC218GUSC3425	25A	C
EFSC218GUSC3232	EFSC218GUSC3332	EFSC218GUSC3432	32A	C
EFSC218GUSC3240	EFSC218GUSC3340	EFSC218GUSC3440	40A	C
EFSC218GUSC3250	EFSC218GUSC3350	EFSC218GUSC3450	50A	C
EFSC218GUSC3263	EFSC218GUSC3363	EFSC218GUSC3463	63A	C

EARTH LEAKAGE CIRCUIT BREAKERS 400/230V 50-60Hz 300mA 1PH+N - 3PH+N			
CODE TWO POLES	CODE FOUR POLES	RATE [In]	DETAIL
EFSC218GUSV3225	EFSC218GUSV3425	25A	D
EFSC218GUSV3240	EFSC218GUSV3440	40A	D
-	EFSC218GUSV3463	63A	D

THERMAL MAGNETIC MOTOR PROTECTION THREE POLES 660V 50-60Hz		
CODE	RANGE	DETAIL
EFSC218SMT034	0,20 - 0,35A	E
EFSC218SMT036	0,35 - 0,60A	E
EFSC218SMT301	0,60 - 1,00A	E
EFSC218SMT302	1,00 - 1,60A	E
EFSC218SMT303	1,60 - 2,50A	E
EFSC218SMT304	2,50 - 4,00A	E
EFSC218SMT306	4,00 - 6,60A	E
EFSC218SMT310	6,00 - 10,00A	E
EFSC218SMT316	10,00 - 16,00A	E



REMARK:

Due to the development of the national and international specifications and of the technology, the above technical characteristics showed on this bulletin can be considered as binding on our confirmation only.



Installation: hazardous areas - Zone 1 / 2 (Gases) - Zone 21 / 22 (Dusts)

Classification: Group II - Category 2G 2D



REFERENCE STANDARDS

Directive 2014/34/EU

EXECUTION	<ul style="list-style-type: none"> ⊗ II 2 G Ex d IIC T6/T5 Gb ⊗ II 2 D Ex tb IIIC T85°C/T100°C Db
RULES OF COMPLIANCE	EN/IEC 60079-0; EN/IEC 60079-1; EN/IEC 60079-31
EC Type-Examination Certificate	INERIS 04 ATEX 0076X
PROTECTION DEGREE	IP66
AMBIENT TEMPERATURE	-60°C ÷ +60°C
OTHER AVAILABLE CERTIFICATES	IECEx: IECEx INE 11.0033X INMETRO: CEPEL 13.2255X EAC: TC RU C-IT.BH02.B.00608 RUSSIAN MARINE CERTIFICATE (RMRS): 19.02523.280

Mechanical characteristics

Body	marine grade copper free aluminium light alloy
Cover	marine grade copper free aluminium light alloy
Screws	stainless steel
Gaskets	NBR rubber sealing ring



On Request Accessories:

- External epoxy painting with colour on request
- Different threads from standards

Technical Features

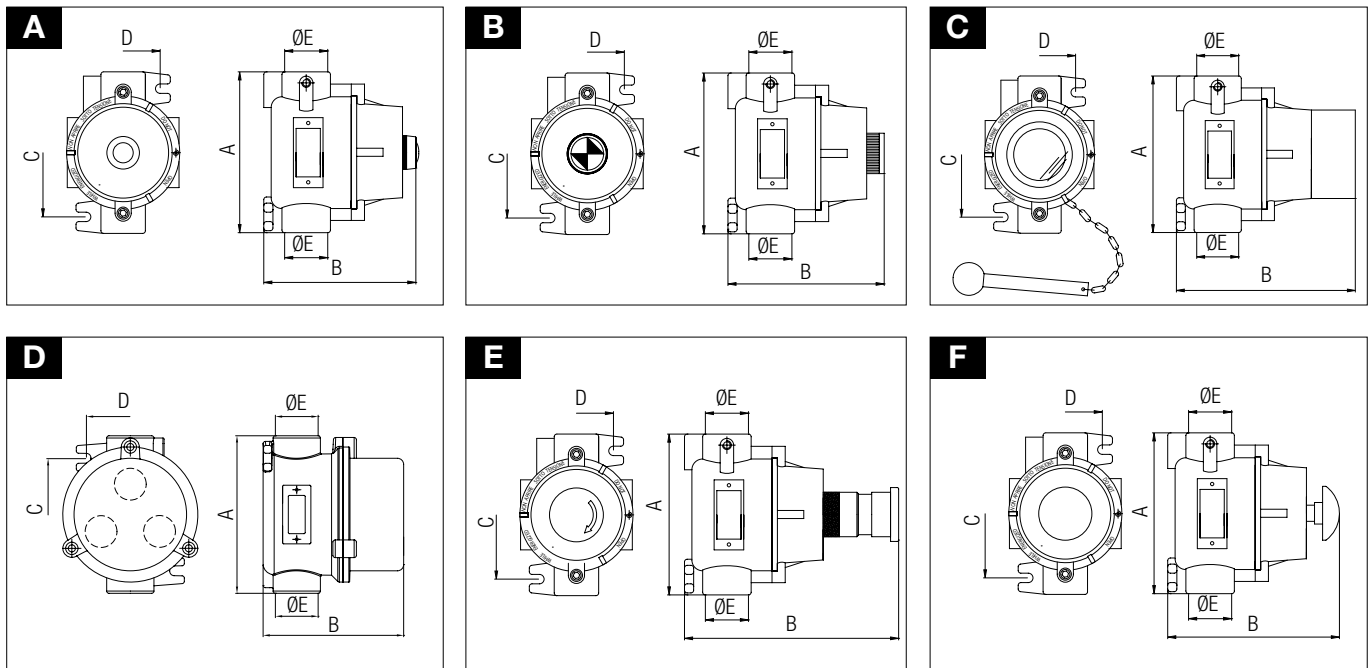
CODE	A [mm]	B [mm]	C [mm]	D [mm]	ØE [mm]	TEMPERATURE CLASS (GAS)	TEMPERATURE CLASS (DUSTS)	WEIGHT [Kg]	DETAIL
EFDC1/2	120	115	95	55	3/4" NPT	T6 T5	T85°C T100°C	0,90	A
EFDC3	120	120	95	55	3/4" NPT	T6 T5	T85°C T100°C	0,90	B
EFDC1E	120	135	95	55	3/4" NPT	T6 T5	T85°C T100°C	1,00	C
EFDC...R	140	125	100	80	1" NPT	T6 T5	T85°C T100°C	1,50	D
EFDC1EFSR	120	160	95	55	3/4" NPT	T6 T5	T85°C T100°C	0,90	E
EFDC1EF	120	130	95	55	3/4" NPT	T6 T5	T85°C T100°C	0,90	F

OPERATORS TYPE		OPERATORS LAYOUT (QUANTITY)					
PUSH BUTTON NO (1)	1	1	2	1	1	3	
PUSH BUTTON NC (2)	1	1	1	-	-	-	
PILOT LIGHT (3)	1	-	-	2	1	-	
CODE EXAMPLES:	EFDC123R	EFDC12R	EFDC112R	EFDC133R	EFDC13R	EFDC111R	

Standard operators layout

CODE	DETAIL	CODE	DETAIL	CODE	DETAIL
EFDC1	A	EFDC3V	B	EFDC13R	D
EFDC2	A	EFDC111R	B	EFDC23R	D
EFDC1E (*)	C	EFDC121R	D	EFDC133R	D
EFDC1EF (**)	F	EFDC122R	D	EFDC233R	D
EFDC1EFSR	E	EFDC123R	D	EFDC33R	D
EFDC3R	B	EFDC222R	D	EFDC333R	D

* WITH BREAKING GLASS (EMERGENCY STOP)
 ** WITH RED MUSHROOM EMERGENCY PUSH BUTTON



REMARK:
 Due to the development of the national and international specifications and of the technology, the above technical characteristics showed on this bulletin can be considered as binding on our confirmation only.



Installation: hazardous areas - Zone 1 / 2 (Gases) - Zone 21 / 22 (Dusts)
Classification: Group II - Category 2G 2D



REFERENCE STANDARDS

Directive 2014/34/EU	
EXECUTION	⊗ II 2 G Ex d IIC T6/T5 Gb ⊗ II 2 D Ex tb IIIC T85°C/ T100°C Db
RULES OF COMPLIANCE	EN/IEC 60079-0; EN/IEC 60079-1; EN/IEC 60079-31
EC Type-Examination Certificate	INERIS 04 ATEX 0076X
PROTECTION DEGREE	IP66
AMBIENT TEMPERATURE	-60°C ÷ +60°C
OTHER AVAILABLE CERTIFICATES	IECEX: IECEX INE 11.0033X INMETRO: CEPTEL 13.2255X EAC: TC RU C-IT.BH02.B.00608 RUSSIAN MARINE CERTIFICATE (RMRS): 19.02523.280

Mechanical characteristics

Body	marine grade copper free aluminium light alloy
Cover	marine grade copper free aluminium light alloy
Screws	stainless steel
Gasket	NBR rubber sealing ring



On Request Accessories:

- External epoxy painting with colour on request
- Different threads from standards

Technical Features

CODE	A [mm]	B [mm]	C [mm]	D [mm]	ØE [mm]	TEMPERATURE CLASS (GAS)	TEMPERATURE CLASS (DUSTS)	WEIGHT [Kg]	DETAIL
EFSC2...	120	135	95	55	3/4" NPT	T6 / T5	T85°C / T100°C	0,90	A
EFSC3...	140	150	100	80	1" NPT	T6 / T5	T85°C / T100°C	0,90	B
EFSC5...	165	170	150	115	-	T6 / T5	T85°C / T100°C	1,80	C

CODE ON/OFF SWITCHES 500V 50/60Hz				RATE [In]	DETAIL
1 POLE	2 POLES	3 POLES	4 POLES		
EFSC21	EFSC22	EFSC23	-	16A	A
EFSC3125	EFSC3225	EFSC3325	EFSC3425	25A	B
EFSC5125	EFSC5225	EFSC5325	EFSC5425	25A	C
EFSC3132	EFSC3232	EFSC3332	EFSC3432	32A	B
EFSC5132	EFSC5232	EFSC5332	EFSC5432	32A	C

CODE TWO WAY SWITCHES 500V 50/60Hz				RATE [In]	DETAIL
1 POLE	2 POLES	3 POLES	4 POLES		
EFSC21D	EFSC22D	-	-	16A	A
EFSC3125D	EFSC3225D	EFSC3325D	(1)	25A	B
EFSC5125D	EFSC5225D	EFSC5325D	(1)	25A	C
EFSC3132D	EFSC3232D	EFSC3332D	(1)	32A	B
EFSC5132D	EFSC5232D	EFSC5332D	(1)	32A	C

(1): On request only

CODE CHANGE OVER SWITCHES 500V 50/60Hz				RATE [In]	DETAIL
1 POLE	2 POLES	3 POLES	4 POLES		
EFSC21C	EFSC22C	-	-	16A	A
EFSC3125C	EFSC3225C	EFSC3325C	(1)	25A	B
EFSC5125C	EFSC5225C	EFSC5325C	(1)	25A	C
EFSC3132C	EFSC3232C	EFSC3332C	(1)	32A	B
EFSC5132C	EFSC5232C	EFSC5332C	(1)	32A	C

(1): On request only

SELECTOR SWITCHES 500V 50/60Hz				DIAGRAM	DETAIL
CODE	RATE [In]	CODE	RATE [In]		
EFSC310R	10A	EFSC316R	16A	R	B
EFSC310X	10A	EFSC316X	16A	X	B
EFSC310Y	10A	EFSC316Y	16A	Y	B
EFSC310W	10A	EFSC316W	16A	W	B
EFSC310Z	10A	EFSC316Z	16A	Z	B
EFSC510R	10A	EFSC516R	16A	R	C
EFSC510X	10A	EFSC516X	16A	X	C
EFSC510Y	10A	EFSC516Y	16A	Y	C
EFSC510W	10A	EFSC516W	16A	W	C
EFSC510Z	10A	EFSC516Z	16A	Z	C

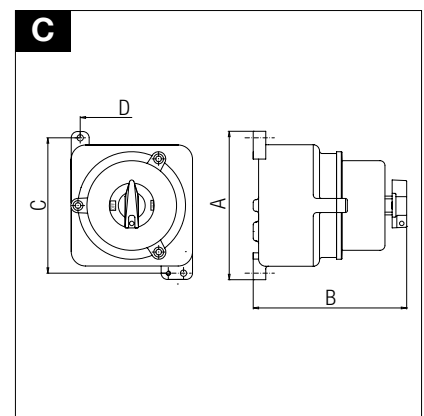
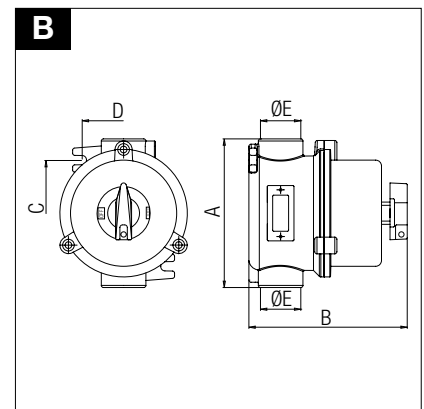
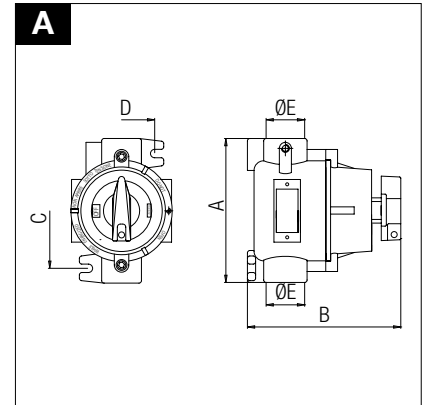
Motor switch diagram arrangements

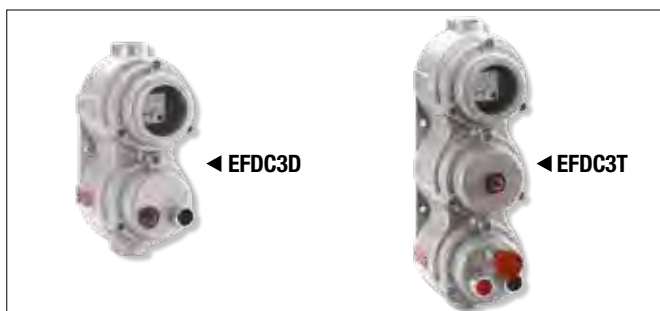
TYPE "R" Contactor control with maintained OFF position	TYPE "X" Contactor control	TYPE "Y" Reverse motor starter control	TYPE "W" Impulse control	TYPE "Z" MAN. AUT. control

*DIAGRAM ARRANGEMENTS DIFFERENT THAN STANDARD, PLEASE CONTACT OUR SALES DEPT.

REMARK:

Due to the development of the national and international specifications and of the technology, the above technical characteristics showed on this bulletin can be considered as binding on our confirmation only.





Installation: hazardous areas - Zone 1 / 2 (Gases) - Zone 21 / 22 (Dusts)
Classification: Group II - Category 2G 2D



REFERENCE STANDARDS

Directive 2014/34/EU

EXECUTION	<ul style="list-style-type: none"> ⊗ II 2 G Ex d IIC T6/T5 Gb ⊗ II 2 D Ex tb IIIC T85°C/ T100°C Db
RULES OF COMPLIANCE	EN/IEC 60079-0; EN/IEC 60079-1; EN/IEC 60079-31
EC Type-Examination Certificate	INERIS 04 ATEX 0076X
PROTECTION DEGREE	IP66
AMBIENT TEMPERATURE	-60°C ÷ +60°C
OTHER AVAILABLE CERTIFICATES	IECEx: IECEx INE 11.0033X INMETRO: CEPEL 13.2255X EAC: TC RU C-IT.BH02.B.00608 RUSSIAN MARINE CERTIFICATE (RMRS): 19.02523.280

Mechanical characteristics

Body	marine grade copper free aluminium light alloy
Cover	marine grade copper free aluminium light alloy
Screws	stainless steel
Gasket	NBR rubber sealing ring



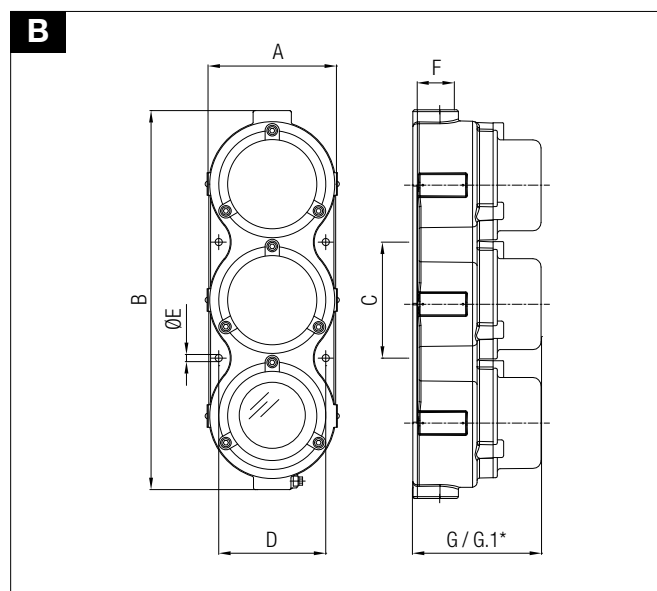
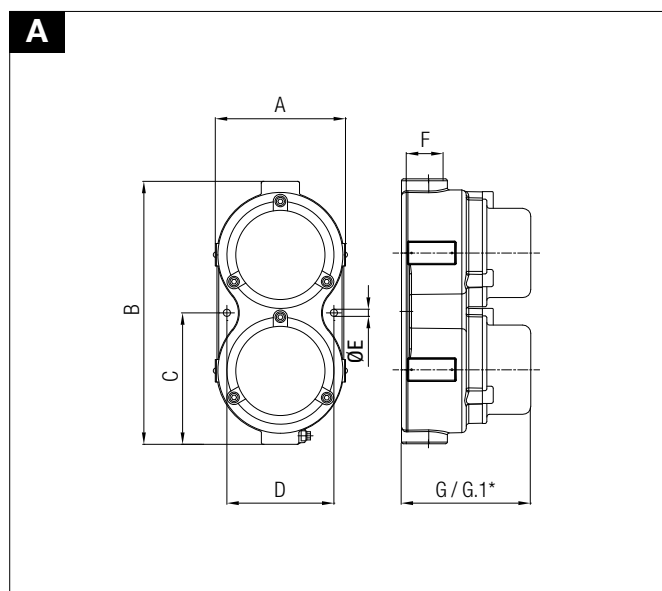
On Request Accessories:

- External epoxy painting with colour on request
- Cable entries with different threads from standards

Technical Features

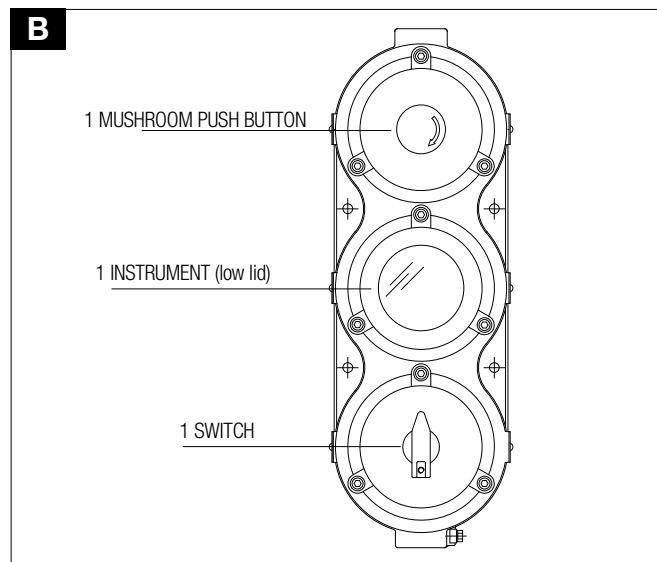
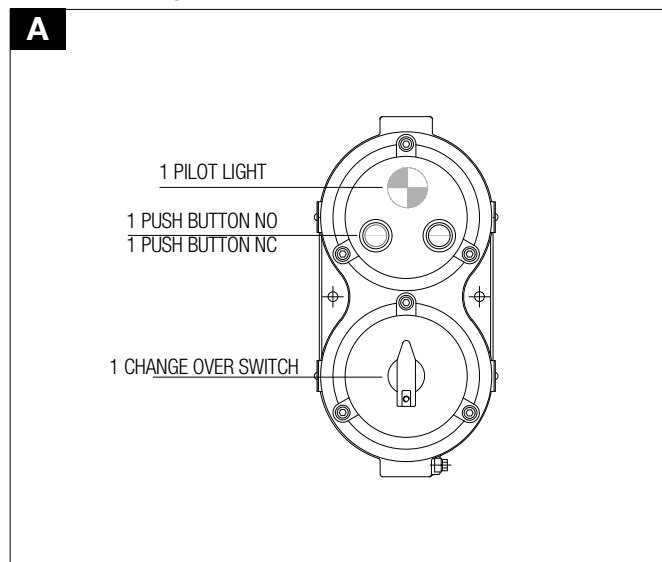
CODE	A [mm]	B [mm]	C [mm]	D [mm]	Ø E [mm]	F [mm]	G [mm]	G.1 [mm]	TEMPERATURE CLASS (GAS)	TEMPERATURE CLASS (DUSTS)	DETAIL
EFDC3D	145	295	147,5	120	9	1" NPT	145	125	T6 T5	T85°C T100°C	A
EFDC3T	145	425	130	120	9	1" NPT	145	125	T6 T5	T85°C T100°C	B

Reference details



*LOW LID, ONLY FOR GLASS WINDOW

Installation examples



OPERATOR ARRANGEMENT:

ON EACH COVER IS POSSIBLE TO FIT THE FOLLOWING MATERIAL:

- 1 48x48 INSTRUMENT (low lid with glass)
- UP TO 3 PILOT LIGHTS (as EFDC...R, see bulletin 65)
- UP TO 3 PUSH BUTTON (as EFDC...R, see bulletin 65)
- 1 MUSHROOM PUSH BUTTON (as EFDC..., see bulletin 65)
- 1 SELECTOR SWITCH (as EFSC..., see bulletin 66)

REMARK:

Due to the development of the national and international specifications and of the technology, the above technical characteristics showed on this bulletin can be considered as binding on our confirmation only.





Installation: hazardous areas - Zone 1 / 2 (Gases) - Zone 21 / 22 (Dusts)

Classification: Group II - Category 2G 2D



REFERENCE STANDARDS

Directive 2014/34/EU

EXECUTION	Ⓢ Ex II 2 G Ex db IIC T6/T5/T4 Gb Ⓢ Ex II 2 D Ex tb IIC T85°C/T100°C/T135°C Db
RULES OF COMPLIANCE	EN/IEC 60079-0, EN/IEC 60079-1, EN/IEC 60079-31
EC Type-Examination Certificate	INERIS 18 ATEX 0013X
PROTECTION DEGREE	IP66
AMBIENT TEMPERATURE	-60°C ÷ +60°C
OTHER AVAILABLE CERTIFICATES	IECEx: IECEx INE18.0007X EAC: TC RU C-IT.BH02.B.00608 RUSSIAN MARINE CERTIFICATE (RMRS): 19.02523.280

Mechanical characteristics

Body	marine grade copper free aluminium light alloy
Cover	marine grade copper free aluminium light alloy
Screws	stainless steel
Pins	brass



On Request Accessories:

- External epoxy painting with colour on request
- Cable entries with different threads from standards

Technical Features

CODE	A [mm]	B [mm]	C [mm]	D [mm]	E [mm]	Ø F [mm]	Ø G [mm]	FIXING HxL [mm]	TEMPERATURE CLASS (GAS)	TEMPERATURE CLASS (DUSTS)	WEIGHT [Kg]	DETAIL
CPSC/CPH	195	370	113	155	140	3/4"NPT	1"NPT	92-90	T6 (Ta -60°C ÷ +40°C) T5 (Ta -60°C ÷ +60°C)	T85°C T100°C	2,8	A
FSQC/BPA	230	415	155	200	163	1"NPT	1"NPT	125-80	T6 (Ta -60°C ÷ +40°C) T5 (Ta -60°C ÷ +55°C) T4 (Ta -60°C ÷ +60°C)	T85°C T100°C T135°C	4,0	B
FSQC125/BP125	380	615	275	305	225	-	1 1/2" NPT	308x270	T6 (Ta -60°C ÷ +60°C)	T85°C	15,5	C

INTERLOCKED SOCKET AND PLUGS				
SOCKET CODE	PLUG CODE	POLES	VOLTAGE (50/60Hz)	CURRENT
CPSC212-25A	CPH212-25A	2P+T (PE)	12V	/ 16A-25A
CPSC224-25A	CPH224-25A	2P+T (PE)	24V	16A-25A
CPSC248-25A	CPH248-25A	2P+T (PE)	48V	16A-25A
CPSC211-25A	CPH211-25A	2P+T (PE)	110/130V	16A-25A
CPSC222-25A	CPH222-25A	2P+T (PE)	220/250V	16A-25A
CPSC338-25A	CPH338-25A	3P+T (PE)	380/500V	16A-25A
CPSC438-25A	CPH438-25A	3P+N+T (PE)	380/500V	16A-25A

INTERLOCKED SOCKETS AND PLUGS WITH CIRCUIT BREAKER				
SOCKET CODE	PLUG CODE	POLES	VOLTAGE (50/60Hz)	CURRENT
FSQCA235	BPA235	2P+T (PE)	220/250V	32A
FSQCA335	BPA335	3P+T (PE)	380/400V	32A
FSQCA260	BPA260	2P+T (PE)	220/250V	63A
FSQCA360*	BPA360	3P+T (PE)	380/400V	63A

*Threaded hole ØF:1-1/2" NPT

INTERLOCKED SOCKETS AND PLUGS WITH ON-LOAD SWITCH				
SOCKET CODE	PLUG CODE	POLES	VOLTAGE (50/60Hz)	CURRENT
FSQC235	BPA235	2P+T (PE)	220/250V	32A
FSQC335	BPA335	3P+T (PE)	380/500V	32A
FSQC435	BPA435	3P+N+T (PE)	380/500V	32A
FSQC260	BPA260	2P+T (PE)	220/250V	63A
FSQC360*	BPA360	3P+T (PE)	380/500V	63A
FSQC460*	BPA460	3P+N+T (PE)	380/500V	63A

*Threaded hole ØF:1-1/2" NPT

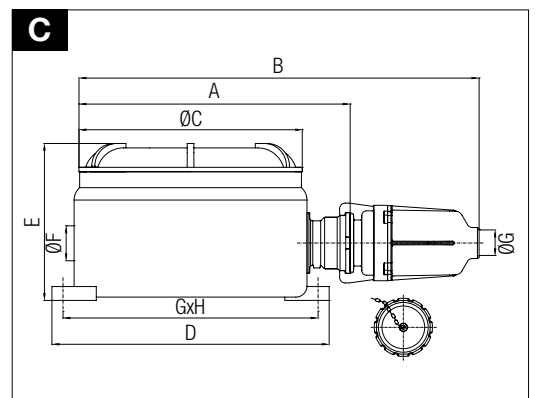
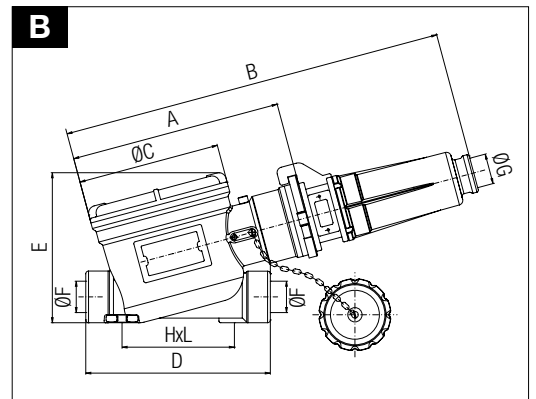
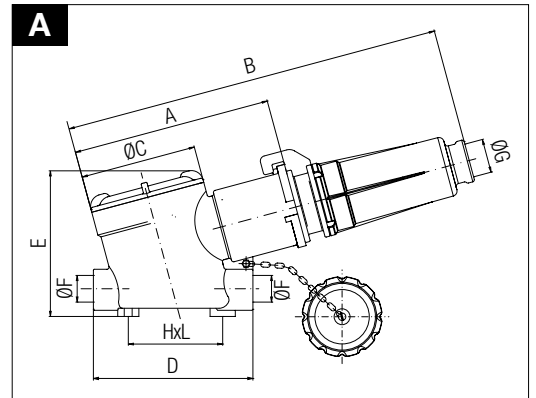
125A INTERLOCKED SOCKETS AND PLUGS				
SOCKET CODE	PLUG CODE	POLES	VOLTAGE (50/60Hz)	CURRENT
FSQC125-3	BP125-3	3P+T (PE)	380/500V	125A
FSQC125-4	BP125-4	4P+T (PE)	380/500V	125A

Sockets and plugs colour marking for industrial applications

NOMINAL WORKING VOLTAGE	COLOUR
20-25V	VIOLET
40-50V	WHITE
100-130V	YELLOW
200-250V	BLUE
380-480V	RED
480-500V	BLACK

REMARK:

Due to the development of the national and international specifications and of the technology, the above technical characteristics showed on this bulletin can be considered as binding on our confirmation only.





Installation: hazardous areas - Zone 1 / 2 (Gases) - Zone 21 / 22 (Dusts)
Classification: Group II - Category 2G 2D



REFERENCE STANDARDS

Directive 2014/34/EU

EXECUTION	⊗ Ex II 2 G Ex db IIC T6...T4 Gb ⊗ Ex II 2 D Ex tb IIIC T85°C...T135°C Db
RULES OF COMPLIANCE	EN/IEC 60079-0, EN/IEC 60079-1, EN/IEC 60079-31
EC Type-Examination Certificate	INERIS 18 ATEX 0015X
PROTECTION DEGREE	IP66
AMBIENT TEMPERATURE	-60°C ÷ +60°C
OTHER AVAILABLE CERTIFICATES	IECEX: IECEx INE18.0009X EAC: TC RU C-IT.BH02.B.00608 (-60°C ÷ +60°C) RUSSIAN MARINE CERTIFICATE (RMRS): 19.02523.280

Mechanical characteristics

Body	marine grade copper free aluminium light alloy
Cover	marine grade copper free aluminium light alloy
Screws	stainless steel
Pins	brass














On Request Accessories:







- External epoxy painting with colour on request
- Cable entries with different threads from standards

Technical Features

CODE	A [mm]	TEMPERATURE CLASS (GAS)	TEMPERATURE CLASS (DUSTS)	WEIGHT [Kg]	DETAIL
CPSCP*/CPH	243	T6	T85°C	1,50	A
FSQCP*/BP	255	T6	T85°C	2,00	B
FSQCP125*/BP125	310	T6	T85°C	5,00	C

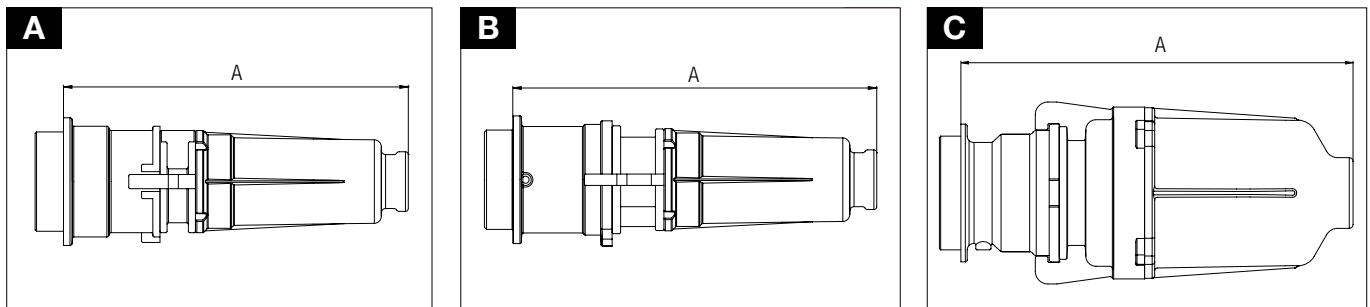
*WITHOUT ENCLOSURE (TO BE ORDERED SEPARATELY)

INTERLOCKED SOCKETS				
SOCKET CODE	POLES	VOLTAGE (50/60Hz)		CURRENT
CPSCP224	2P+T (PE)	24V		16A
CPSCP224-25A	2P+T (PE)	24V		25A
CPSCP248	2P+T (PE)	48V		16A
CPSCP248-25A	2P+T (PE)	48V		25A
CPSCP211	2P+T (PE)	110/130V		16A
CPSCP211-25A	2P+T (PE)	110/130V		25A
CPSCP222	2P+T (PE)	220/250V		16A
CPSCP222-25A	2P+T (PE)	220/250V		25A
CPSCP338	2P+T (PE)	380/500V		16A
CPSCP338-25A	3P+T (PE)	380/500V		25A
CPSCP438-25A	3P+N+T (PE)	380/500V		25A

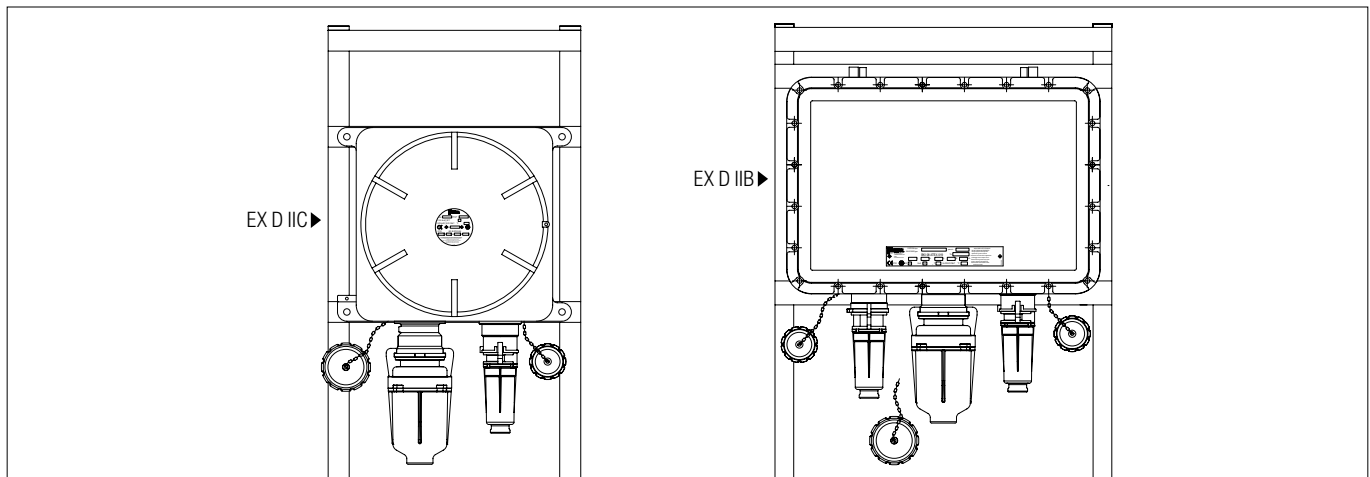
INTERLOCKED SOCKETS WITH CIRCUIT BREAKER				
SOCKET CODE	POLES	VOLTAGE (50/60Hz)		CURRENT
FSQCP235	2P+T (PE)	220/250V		32A
FSQCP335	3P+T (PE)	380/415V		32A
FSQCP435	4P+T (PE)	380/500V		32A
FSQCP260	2P+T (PE)	220/250V		63A
FSQCP360	3P+T (PE)	380/500V		63A
FSQCP460	4P+T (PE)	380/500V		63A

125A INTERLOCKED SOCKETS AND PLUGS				
SOCKET CODE	PLUG CODE	POLES	VOLTAGE (50/60Hz)	CURRENT
FSQCP125-3	BP125-3	3P+T (PE)	380/500V	125A
FSQCP125-4	BP125-4	4P+T (PE)	380/500V	125A

NOTE: Please refer to cpsc/fsqc bulletin for industrial application sockets and plugs colour marking



Typical assembling



REMARK:

Due to the development of the national and international specifications and of the technology, the above technical characteristics showed on this bulletin can be considered as binding on our confirmation only.



