

Assembly Instructions for Adaptors: 479 Male to Male 480 Female to Female

Operating temperature range -60°C +200°C

Before Assembly:

Ensure that the thread in the enclosure and on the cable gland/conduit is the same size and form as the Adaptor, ensuring that for parallel threads the thread engagement should be 5 full threads and 8mm axial engagement as a minimum.

Schedule of Limitations

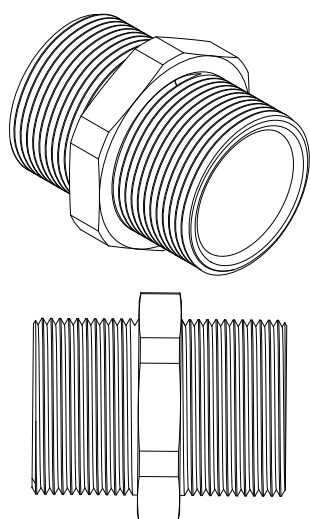
This component must not be used with a certified piece of equipment unless the certificate for the equipment specifically includes for its use. The overall cross sectional area of the conductors must not exceed 40% of the cross sectional area of the bore of the fitting when three or more none sheathed, insulated, single or multi-core conductors pass through the fitting unless tested and specified.

Certification Details

Union Types: 479 & 480
Exeb IIC Gb, Exdb IIC Gb, Extb IIIC Db
Baseefa 11ATEX0150U (Ex) II 2 GD
IECEX BAS11.0072U
IEEx 15.0207U
EAC (Ex) TC RU C-GB.AA87.B.00430
c CSA us No: 1731876
Class I Zone 1 AExd IIC Gb, AExe IIC Gb,
Zone 21 AExtb IIIC Db

The 479 and 480 adaptors are component approved only and should be included in the apparatus equipment into which they are fitted. Additional sealing may be required between the adaptor and the equipment it is fitted to.

Type 479



TYPICAL DIMENSIONS			
Male Thread Size Metric	Male Thread Length Metric	Across Flats	Across Corners
M16	15	24	26.5
M20	15	30	32.5
M25	15	36	39.5
M32	15	46	50.5
M40	15	55	60.5
M50	15	65	70.8
M63	15	80	88.0
M75	15	95	109.5

NB: The dimensions above will vary when adaptors with other thread forms are supplied.

For Increased Safety Enclosures

Ensure the adaptor thread form is compatible with the enclosure thread and the equipment to be fitted to the adaptor. If the enclosure contains a clearance hole entry, the maximum clearance permitted between the enclosure entry hole and the adaptor nominal thread size is 0.7mm. Ensure that the area around the enclosure entry thread is clean and flat and the entry thread is square to the enclosure face.

For Threaded Entries in Exe Enclosures

Insert the adaptor from the outside of the enclosure with an IP sealing washer fitted or a suitable thread sealant added to the equipment thread and fully tighten using the correct size of spanner. A suitable thread sealant or an IP washer may be required to improve the IP rating.

For Clearance Entries in Exe Enclosures

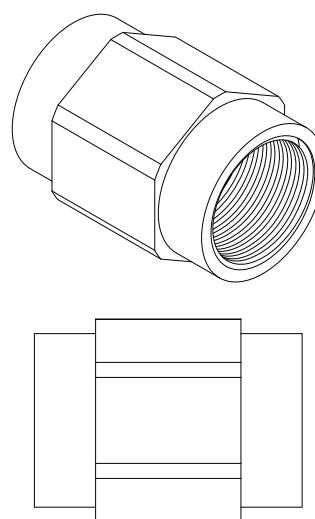
Insert the adaptor into the clearance hole from the outside of the enclosure with an IP sealing washer fitted to the equipment thread. Fit a locknut of the same thread type and size onto the adaptor thread within the enclosure and using the correct size of spanners, or wrenches, tighten the adaptor.

For Threaded Entries in Exd Enclosures

Ensure that the thread in the enclosure is the same size and form as the adaptor ensuring that for parallel threads the thread engagement should be 5 full threads and 8mm axial engagement as a minimum. Insert the adaptor from the outside of the enclosure with a sealing washer fitted or a suitable thread sealant added to the equipment thread and fully tighten using the correct size of spanner. A suitable thread sealant or an IP washer may be required to improve the IP rating.

Note: The standard thread pitch up to and including the M75 size is 1.5mm.

Type 480



TYPICAL DIMENSIONS			
Female Thread Size	Female Thread Length Metric	Across Flats	Across Corners
M16	15	24	26.5
M18 x 1	15	24	26.5
M20	15	30	32.5
M25	15	36	39.5
M32	15	46	50.5
M40	15	55	60.5
M50	15	65	70.8
M63	15	80	88.0
M75	15	95	109.5

NB: The dimensions above will vary when adaptors with other thread forms are supplied.

For Increased Safety Applications

Ensure the adaptor thread form is compatible with the equipment male thread. Tighten the adaptor to the equipment using a suitable spanner or wrench. A suitable thread sealant or an IP washer may be required to improve the IP rating.

For Exd Enclosures with Male Threaded Entries

Ensure that the thread on the enclosure is the same size and form as the adaptor ensuring that for parallel threads the thread engagement should be 5 full threads and 8mm axial engagement as a minimum. Fit the adaptor onto the male thread and tighten using a suitable spanner or wrench. A suitable thread sealant or an IP washer may be required to improve the IP rating.

Note: The standard thread pitch up to and including the M75 size is 1.5mm.

EU Declaration of Conformity in accordance with European Directive 2014/34/EU

Manufacturer: Hawke International

Address: Oxford Street West, Ashton-under-Lyne, OL7 0NA, United Kingdom

Equipment Type: 479 Male to Male and 480 Female to Female Inline Adaptors (Group II)

Provisions of the Directive fulfilled by the Equipment: Group II Category 2GD Exeb IIC Gb, Exdb IIC Gb, Extb IIIC Db – IP66

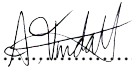
Notified Body for EU-Type Examination: SGS - Baseefa 1180 Buxton UK

EU-type Examination Certificate: Baseefa 11ATEX0150U

Notified Body for production: SGS - Baseefa 1180 Buxton UK

Harmonised Standards used: EN 60079-0:2012 +A11:2013, EN60079-1:2014, EN60079-7:2015, EN60079-31:2014.

On behalf of the above named company, I declare that, on the date the equipment accompanied by this declaration is placed on the market, the equipment conforms with all technical and regulatory requirements of the above listed directives.


.....

A. Tindall
Technical Manager