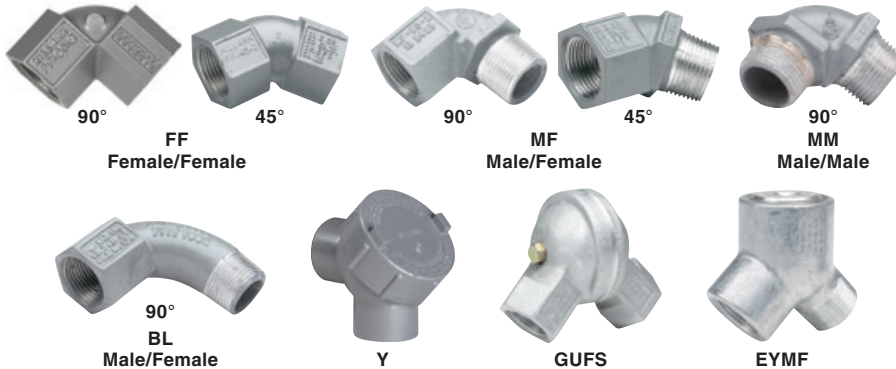


# FITTINGS

FF/MF/MM/BL/GUFS/Y/EYMF SERIES



## ELBOWS



**Class I, Div. 1 & 2, Groups C, D**  
**Class II, Div. 1 & 2, Groups E, F, G**  
**Class III**

UL LISTED - File E10514

SP Certified - File LR11716

FM APPROVED File 25215  
 See files for details or call Killark.

### FEATURES-SPECIFICATIONS

#### Applications

- Elbows: To change direction in rigid or IMC conduit systems
- Capped Elbows: To change direction 90° in rigid or IMC conduit systems where space is limited and access is needed for pulling conductors or maintenance
- Swivel Elbows: Allows conduit to be joined at angles ranging between 90° to 180°. A screwdriver is the only tool needed
- 90° Plugged Elbows: To change direction 90° in rigid or IMC conduit systems where space is limited and access is needed for pulling conductors or maintenance

#### Features

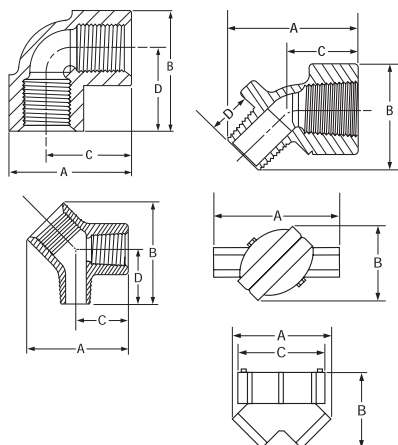
- Threaded for rigid conduit or IMC
- Smooth integral bushings to prevent damage to wires

#### Material/Finish

**Copper-free Aluminum**  
 (less than 4/10 of 1%)

- Electrostatically applied powder coating

**Iron** Zinc electro-plate



ELBOWS							
CATALOG NUMBER		HUB SIZE	TYPE	A	B	C	D
ALUMINUM	IRON						
FF-90-1①	FF-90-1M③	1/2"	FF 90°	2"	2"	1-3/8"	1-3/8"
FF-90-2①	FF-90-2M③	3/4"	FF 90°	2-1/4"	2-1/4"	1-1/2"	1-1/2"
FF-90-3①	FF-90-3M③	1"	FF 90°	2-15/16"	2-15/16"	2"	2"
FF-45-1①	FF-45-1M③	1/2"	FF 45°	2-3/8"	2"	1-1/8"	—
FF-45-2①	FF-45-2M③	3/4"	FF 45°	2-11/16"	2-3/16"	1-1/4"	—
FF-45-3①	FF-45-3M③	1"	FF 45°	3-3/8"	2-11/16"	1-5/8"	—
FF-45-6①	FF-45-6M③	2"	FF 45°	4-3/4"	3-7/8"	2-1/4"	—
FF-45-8①	FF-45-8M③	3"	FF 45°	5-1/4"	5-17/64"	2-17/64"	—
MF-90-1①	MF-90-1M③	1/2"	MF 90°	2-7/32"	2"	1-3/8"	1-1/16"
MF-90-2①	MF-90-2M③	3/4"	MF 90°	2-1/2"	2-1/4"	1-1/2"	1-1/16"
MF-45-1①	MF-45-1M③	1/2"	MF 45°	2-35/64"	1-55/64"	1-1/8"	1-1/16"
MF-45-2①	MF-45-2M③	3/4"	MF 45°	2-3/4"	2"	1-9/32"	1-1/16"
MM-90-1①	MM-90-1M③	1/2"	MM 90°	2-15/32"	2-15/32"	1-49/64"	1-1/16"
MM-90-2①	MM-90-2M③	3/4"	MM 90°	2-5/8"	2-5/8"	1-57/64"	1-1/16"
BL-90-1①	BL-90-1M③	1/2"	BL 90°	2-1/4"	2-3/8"	1-7/8"	1-3/4"
BL-90-2①	BL-90-2M③	3/4"	BL 90°	2-5/8"	3"	2-1/8"	2-1/4"
BL-90-3①	BL-90-3M③	1"	BL 90°	2-1/4"	3-7/16"	2-5/8"	2-1/2"

CAPPED ELBOWS							
CATALOG NUMBER		HUB SIZE	TYPE	A	B	C	D
ALUMINUM	IRON						
Y-1①	Y-1M④	1/2"	90°	2-7/8"	2-3/4"	1-7/8"	—
Y-2①	Y-2M④	3/4"	90°	3-1/16"	3-3/4"	2-1/8"	—
Y-3①	Y-3M④	1"	90°	4"	3-1/4"	2-5/8"	—
Y-4①	Y-4M④	1-1/4"	90°	5-1/16"	4-1/8"	3-7/8"	—
Y-5①	Y-5M④	1-1/2"	90°	5-1/16"	4-1/4"	3-7/8"	—

SWIVEL ELBOWS							
CATALOG NUMBER		HUB SIZE	TYPE	A	B	C	D
ALUMINUM	IRON						
GUFS-1②	GUFS-1M③	1/2"	180°	4-1/2"	2-1/4"	—	—
GUFS-2②	GUFS-2M③	3/4"	180°	4-1/2"	2-1/4"	—	—
GUMFS-1②	GUMFS-1M③	1/2"	180°	5-1/8"	2-1/4"	—	—
GUMFS-2②	GUMFS-2M③	3/4"	180°	5-1/4"	2-1/4"	—	—

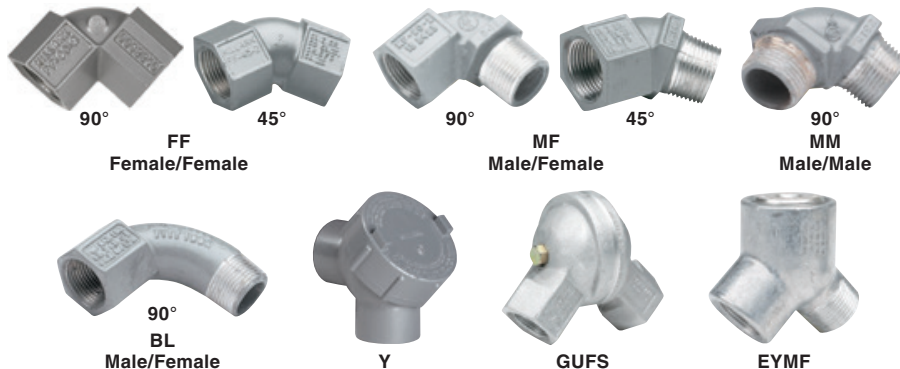
90° PLUGGED ELBOWS							
CATALOG NUMBER		HUB SIZE	TYPE	A	B	C	D
ALUMINUM	IRON						
EYMF-1②	—	1/2"	90°	2-5/8"	2-5/8"	1-3/8"	1-3/8"
EYMF-2②	—	3/4"	90°	2-3/4"	2-3/4"	1-1/2"	1-1/2"

- ① Copper-free aluminum - Electrostatically applied powder coating
- ② Aluminum - Natural finish
- ③ Iron - Zinc electroplate
- ④ Iron - Duraloy finish
- ⑤ Furnished with 1" close-up plug in top.

For ATEX and IEC Ex certified Elbows, see following page.



ELBOWS – ATEX/IEC Ex CERTIFIED



**Global Listings**  
**ATEX / IEC Ex Certified**  
 File nos. ITS09ATEX16417U  
 IECExITS09.0024U  
 IIG  
 Ex d IIC



UL LISTED File No. E 10514

SP Certified File No. LR11716

**Class I, Div. 1 & 2, Groups C, D**  
**Class II, Div. 1 & 2, Groups E, F, G**  
**Class III**

**FEATURES-SPECIFICATIONS**

**Applications**

- Elbows: To change direction in rigid or IMC conduit systems
- Capped Elbows: To change direction 90° in rigid or IMC conduit systems where space is limited and access is needed for pulling conductors or maintenance
- Swivel Elbows: Allows conduit to be joined at angles ranging between 90° to 180°. A screwdriver is the only tool needed
- 90° Plugged Elbows: To change direction 90° in rigid or IMC conduit systems where space is limited and access is needed for pulling conductors or maintenance

**Features**

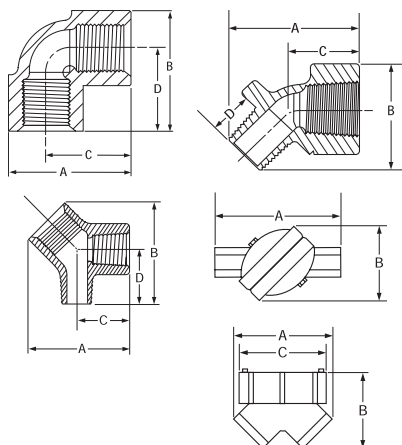
- Threaded for rigid conduit or IMC
- Smooth integral bushings to prevent damage to wires

**Material/Finish**

**Copper-free Aluminum**  
 (less than 4/10 of 1%)

- Electrostatically applied powder coating

**Iron** Zinc electro-plate



**ELBOWS - QUAD LISTED**

CATALOG NUMBER		HUB SIZE	TYPE	A	B	C	D
ALUMINUM	IRON						
FF-90-1-EX	FF-90-1M-EX	1/2"	FF 90°	2"	2"	1-3/8"	1-3/8"
FF-90-2-EX	FF-90-2M-EX	3/4"	FF 90°	2-1/4"	2-1/4"	1-1/2"	1-1/2"
FF-90-3-EX	FF-90-3M-EX	1"	FF 90°	2-15/16"	2-15/16"	2"	2"
FF-45-1-EX	FF-45-1M-EX	1/2"	FF 45°	2-3/8"	2"	1-1/8"	—
FF-45-2-EX	FF-45-2M-EX	3/4"	FF 45°	2-11/16"	2-3/16"	1-1/4"	—
FF-45-3-EX	FF-45-3M-EX	1"	FF 45°	3-3/8"	2-11/16"	1-5/8"	—
FF-45-6-EX	FF-45-6M-EX	2"	FF 45°	4-3/4"	3-7/8"	2-1/4"	—
FF-45-8-EX	FF-45-8M-EX	3"	FF 45°	5-1/4"	5-17/64"	2-17/64"	—
MF-90-1-EX	MF-90-1M-EX	1/2"	MF 90°	2-7/32"	2"	1-3/8"	1-1/16"
MF-90-2-EX	MF-90-2M-EX	3/4"	MF 90°	2-1/2"	2-1/4"	1-1/2"	1-1/16"
MF-45-1-EX	MF-45-1M-EX	1/2"	MF 45°	2-35/64"	1-55/64"	1-1/8"	1-1/16"
MF-45-2-EX	MF-45-2M-EX	3/4"	MF 45°	2-3/4"	2"	1-9/32"	1-1/16"
MM-90-1-EX	MM-90-1M-EX	1/2"	MM 90°	2-15/32"	2-15/32"	1-49/64"	1-1/16"
MM-90-2-EX	MM-90-2M-EX	3/4"	MM 90°	2-5/8"	2-5/8"	1-57/64"	1-1/16"
BL-90-1-EX	BL-90-1M-EX	1/2"	BL 90°	2-1/4"	2-3/8"	1-7/8"	1-3/4"
BL-90-2-EX	BL-90-2M-EX	3/4"	BL 90°	2-5/8"	3"	2-1/8"	2-1/4"
BL-90-3-EX	BL-90-3M-EX	1"	BL 90°	2-1/4"	3-7/16"	2-5/8"	2-1/2"

**CAPPED ELBOWS**

CATALOG NUMBER		HUB SIZE	TYPE	A	B	C	D
ALUMINUM	IRON						
Y-1-EX	Y-1M-EX	1/2"	90°	2-7/8"	2-3/4"	1-7/8"	—
Y-2-EX	Y-2M-EX	3/4"	90°	3-1/16"	3-3/4"	2-1/8"	—
Y-3-EX	Y-3M-EX	1"	90°	4"	3-1/4"	2-5/8"	—
Y-4-EX	Y-4M-EX	1-1/4"	90°	5-1/16"	4-1/8"	3-7/8"	—
Y-5-EX	Y-5M-EX	1-1/2"	90°	5-1/16"	4-1/4"	3-7/8"	—

**SWIVEL ELBOWS**

CATALOG NUMBER		HUB SIZE	TYPE	A	B	C	D
ALUMINUM	IRON						
GUFS-1-EX	GUFS-1M-EX	1/2"	180°	4-1/2"	2-1/4"	—	—
GUFS-2-EX	GUFS-2M-EX	3/4"	180°	4-1/2"	2-1/4"	—	—
GUMFS-1-EX	GUMFS-1M-EX	1/2"	180°	5-1/8"	2-1/4"	—	—
GUMFS-2-EX	GUMFS-2M-EX	3/4"	180°	5-1/4"	2-1/4"	—	—

**90° PLUGGED ELBOWS**

CATALOG NUMBER		HUB SIZE	TYPE	A	B	C	D
ALUMINUM	IRON						
EYMF-1-EX	—	1/2"	90°	2-5/8"	2-5/8"	1-3/8"	1-3/8"
EYMF-2-EX	—	3/4"	90°	2-3/4"	2-3/4"	1-1/2"	1-1/2"

Ⓢ Copper-free aluminum - Electrostatically applied powder coating

Ⓢ Aluminum - Natural finish

Ⓢ Iron - Zinc electroplate

Ⓢ Iron - Duraloy finish

Ⓢ Furnished with 1" close-up plug in top.